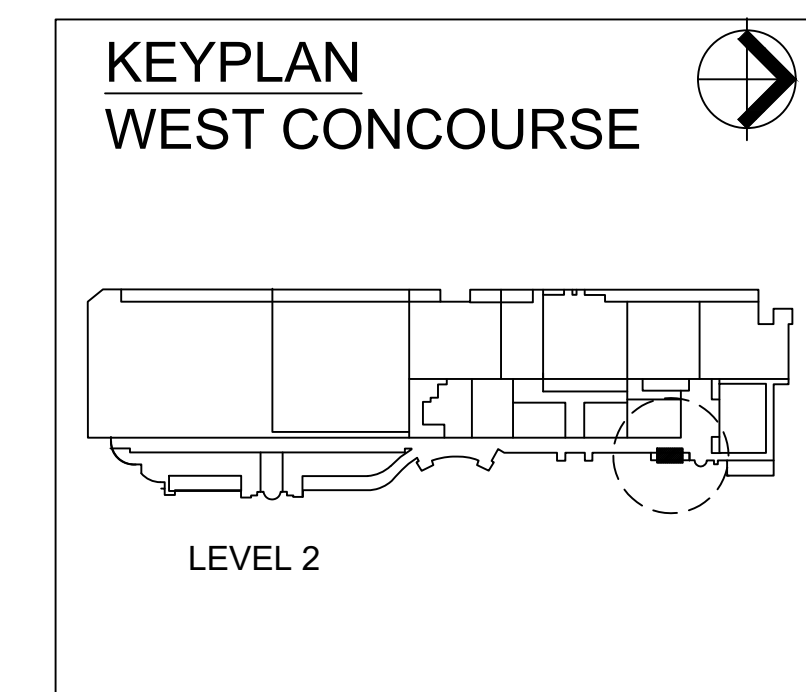
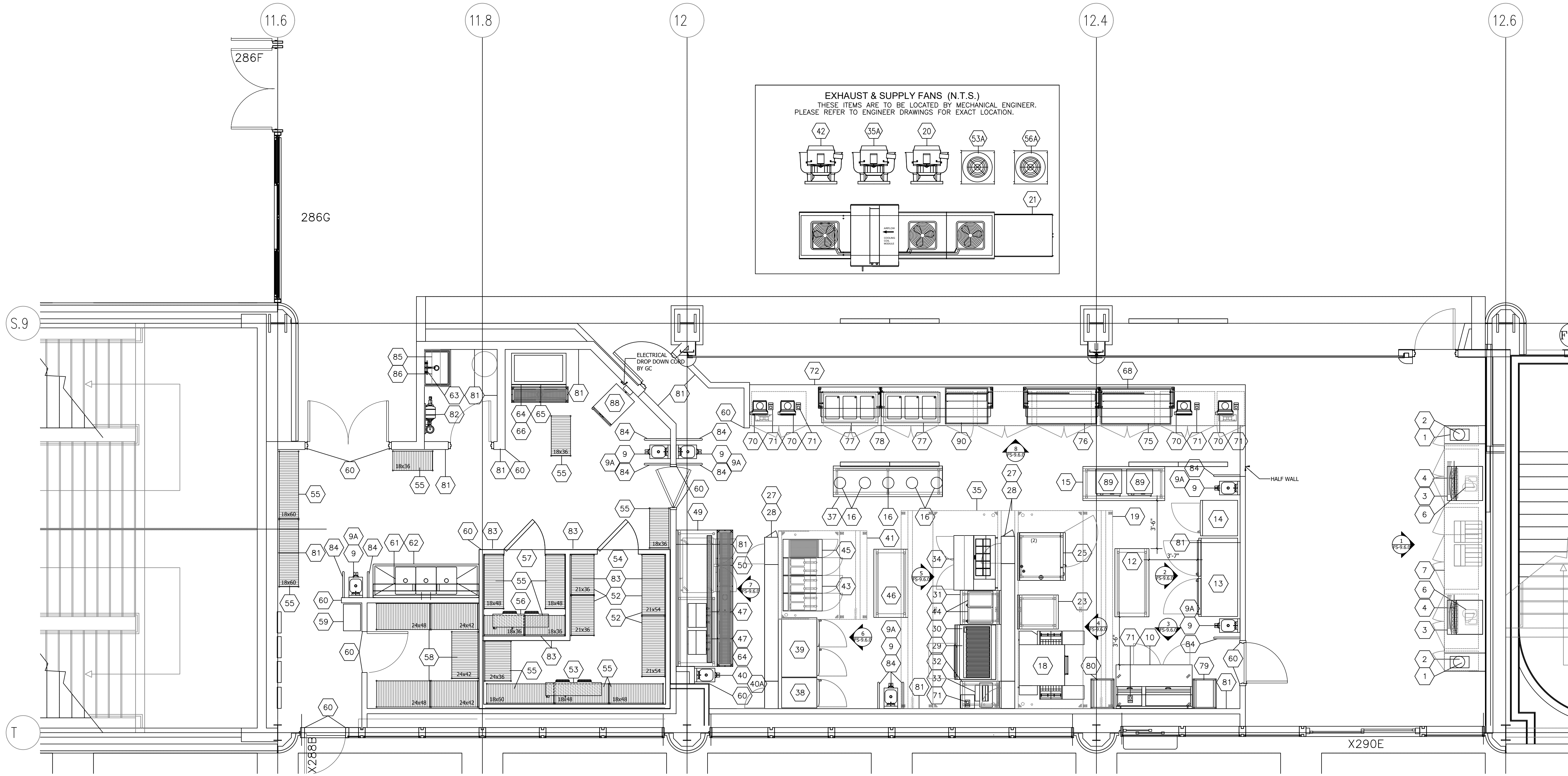


ItemNo	Quantity	Category	Mfr	Model
1	2	TABLETOP WASTE BIN	FABRICATED	CUSTOM
2	2	TRASH CAN	BY OWNER	
3	2	SODA ICE & BEVERAGE DISPENSER	SERVEND	MD250
4	2	ICE CUBER	MANITOWOC	SY-0604A
5		SPARE NUMBER		
6	2	SODA SYSTEM	PEPSI	BY MANUFACTURER
7	1	COUNTER	FABRICATED	CUSTOM
8		SPARE NUMBER		
9	6	HAND SINK	EAGLE GROUP	HSAN-10-F
9A	6	SERVICE FAUCET	T&S BRASS	B-0674-BSTR
10	1	PIZZA PREPARATION REFRIGERATOR	BEVERAGE AIR	DP67
11		SPARE NUMBER		
12	1	PREP TABLE	FABRICATED	CUSTOM
13	1	ROLL-IN REFRIGERATOR	VICTORY	RIS-2D-S1
14	1	REACH-IN FREEZER	VICTORY	FS-1D-S1-EW
15	1	TABLE	FABRICATED	CUSTOM
16	5	HEAT LAMPS	BY OTHERS	BY GC
17		SPARE NUMBER		
18	1	PIZZA OVEN	MIDDLEBY	PS536GS-3
19	LOT	HOOD	CAPTIVE-AIRE	6030 ND2ACP-SP-F
20	1	FAN	CAPTIVE-AIRE	DU200HFA
21	1	RETURN AIR FAN	CAPTIVE-AIRE	A324DMPU
	1		CAPTIVE-AIRE	A324DMPU
	1		CAPTIVE-AIRE	A324DMPU
22		SPARE NUMBER		
23	1	CUT & BOX TABLE	FABRICATED	CUSTOM
24		SPARE NUMBER		
25	1	COMBI OVEN, DOUBLE	RATIONAL	SCC 62NG ON SCC 62NG
	1		RATIONAL	SCC 62NG ON SCC 62NG
26		SPARE NUMBER		
27	2	RACEWAY	CAPTIVE-AIRE	CUSTOM
28	2	CHASE	CAPTIVE-AIRE	CUSTOM
29	1	EQUIPMENT STAND, REFRIGERATED BASE	JADE	JRLH-1S-T-48
30	1	HD RANGE, 48" CHARBROILER	JADE	JTKC-48-RAD-MOD
31	1	TABLE	FABRICATED	CUSTOM
32	1	TABLE	FABRICATED	CUSTOM
33	1	TOASTER, (EXISTING)	ANTUNES	VCT-1000
34	1	SANDWICH / SALAD PREPARATION REFRIGERATOR	BEVERAGE AIR	SPE48HC-10C
35	LOT	HOOD	CAPTIVE-AIRE	6030 ND2ACP-SP-F
35A	1	FAN	CAPTIVE-AIRE	DU240HFA
36		SPARE NUMBER		
37	1	TABLE	FABRICATED	CUSTOM
38	1	REACH-IN REFRIGERATOR	VICTORY	RS-1D-S1
39	1	REACH-IN FREEZER	VICTORY	FS-2D-S1
40	1	HAND SINK	EAGLE GROUP	HSAN-10-F
40A	1	SERVICE FAUCET	T&S BRASS	B-0674-BSTR
41	LOT	HOOD	CAPTIVE-AIRE	5430 ND-2-ACPSP-F
42	1	FAN	CAPTIVE-AIRE	DU200HFA
43	3	FRYER BATTERY, GAS	PITCO	SG14
44	2	HOT FOOD WELL	APW WYOTT	W-3V
45	1	FRYER DUMP STATION	PITCO	BNB-SG14

ItemNo	Quantity	Category	Mfr	Model
46	1	TABLE	FABRICATED	CUSTOM
47	EXISTING	COFFEE BREWER (EXISTING)	FETCO	CBS-2150
48		SPARE NUMBER		
49	1	BEVERAGE TABLE	FABRICATED	CUSTOM
50	1	REACH-IN UNDERCOUNTER REFRIGERATOR	BEVERAGE AIR	UCR-48-AHC
51		SPARE NUMBER		
52	LOT	SHELVING	ISS	
53	1	COIL - COOLER	AMERICAN PANEL	ADT065
53A	1	CONDENSING UNIT	AMERICAN PANEL	FFWP-017Z-TFC-020
54	1	WALK-IN COOLER	AMERICAN PANEL	CUSTOM
55	1	SHELVING	ISS	
56	1	COIL - FREEZER	AMERICAN PANEL	LET047
56A	1	CONDENSING UNIT	AMERICAN PANEL	FFWP-020Z-TFC-020
57	1	WALK-IN FREEZER	AMERICAN PANEL	CUSTOM
58	1	SHELVING	ISS	
59	1	MUSIC SYSTEM	CUSTOM	
60	1	STAINLESS CORNER GUARD	FABRICATED	CUSTOM
61	1	POT RACK SHELF	FABRICATED	CUSTOM
62	1	3-COMPARTMENT SINK (EXISTING)	EXISTING	
63	1	SERVICE FAUCET	T&S BRASS	B-0655-RGH
64	2	TROUGH DRAIN	FABRICATED	CUSTOM
65	1	ICE BIN (EXISTING)	EXISTING	
66	1	ICE MAKER (EXISTING)	EXISTING	
67		SPARE NUMBER		
68	1	SNEEZE GUARD W/HEAT LAMPS	PREMIER METAL & GLASS	TM2N-A
	1		PREMIER METAL & GLASS	TM2N-A
	1		PREMIER METAL & GLASS	TM2N-A
69		SPARE NUMBER		
70	4	POS/CASH	BY OWNER	BY OWNER
71	6	PRINTER	BY OWNER	BY OWNER
72	1	COUNTER	FABRICATED	CUSTOM
	1		FABRICATED	CUSTOM
	1		FABRICATED	CUSTOM
73		SPARE NUMBER		
74		SPARE NUMBER		
75	1	HEATED SHELF FOOD WARMER	HATCO	GRSBF-60-O
76	1	HEATED SHELF FOOD WARMER	HATCO	GRSBF-60-O
77	2	HOT / COLD FOOD WELL UNIT, DROP-IN, ELECTRIC	LOW TEMP	DI-QSCHP-3
78	1	PRE-RINSE SPRAY VALVE	T&S BRASS	B-0101-A-MOD
79	1	BUN / SHEET PAN RACK	NEW AGE	1331
80	1	BUN / SHEET PAN RACK	NEW AGE	1331-VB
81	1	WALL CLADDING	FABRICATED	CUSTOM
82	1	WATER FILTER	ANTUNES	VZN441VT5
83	1	DIAMOND WALL CLADDING	AMERICAN PANEL	CUSTOM
84	10	BOLLARDS	FABRICATED	CUSTOM
85	1	CAN/MOP SINK	IMC TEDDY	FS
86	1	SOAP/CHEMICAL CABINET	IMC TEDDY	OC36-12-HS
87	1	CART, CONDIMENT	K2 EVOLUTION LLC	TDC-20140820-CC
88	1	CABINET, COOK / HOLD / OVEN	ALTO-SHAAM	1000-TH/I
89	2	DISPLAY CASE, HOT FOOD, COUNTERTOP	HATCO	FSDT4TCR
90	1	HEATED SHELF FOOD WARMER	HATCO	GRSBF-36-O

Manufactured Equipment will be "Owner Furnished/ Contractor Installed"

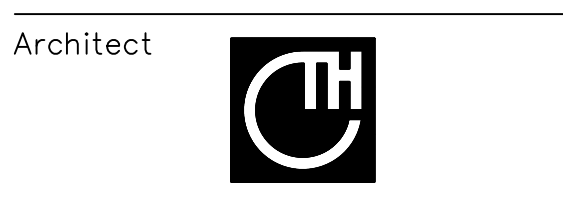


NOTE:
GENERAL CONTRACTOR SHALL REVIEW THE FOODSERVICE BROCHURE AS PART OF THE OVERALL SCOPE OF THE PROJECT. THE NOTES AND DETAILS IN THE BROCHURE ALONG WITH THESE PLANS ARE CONSIDERED A COMPLETE SET. THE GENERAL CONTRACTOR USES BOTH RESOURCES TO OBTAIN A COMPLETE AND FAULTLESS SET. FAILURE TO REVIEW BOTH SETS OF DOCUMENTS WILL RESULT IN/ON SEVERAL CHANGE ORDERS WHICH SHALL BE THE RESPONSIBILITY OF THE GENERAL CONTRACTOR AND SUB-CONTRACTORS.

COPYRIGHT 2017 GALVIN DESIGN GROUP, INC.
ALL ELEMENTS OF THIS DRAWING INCLUDING INDIVIDUAL SYMBOLS ARE PROPERTY OF GALVIN DESIGN GROUP, INC. AND MAY NOT BE ALTERED OR REPRODUCED WITHOUT EXPRESS WRITTEN PERMISSION.



Client
Orange County
Convention Center
P.O. Box 691509
Orlando, Florida 32869



C.T. HSU + ASSOCIATES, P.A.
ARCHITECTURE • PLANNING • INTERIOR DESIGN
FL LIC# AA-0001322
820 Irma Avenue, Orlando, FL 32803
Tel 407.423.0098 Fax 407.423.4793



GALVIN DESIGN GROUP, INC.
13422 Sunset Lakes Circle
Winter Garden, FL 34787
Office - (407) 654-8766
Fax - (407) 654-8841
Florida Interior Design #D0000408
Florida Business Design #B2600056

NOTICE
The data in this document incorporate proprietary rights of:
C. T. HSU + ASSOCIATES
820 Irma Avenue, Orlando, Florida 32803
Any party accepting this document does so in confidence and agrees that it shall not be duplicated in whole or in part nor disclosed to others, without the written consent of:
C. T. HSU + ASSOCIATES

Seal/Signature

CONFORMED DOCUMENTS

No.	By	Date	Revision
2	HS	10/03/2019	PERMIT COMMENT
1	HS	12/21/2018	PERMIT COMMENT

No. By Date Issued for

Sheet Title EQUIPMENT PLAN & SCHEDULE
Job No. 1705.00
Date DECEMBER 7, 2018
Drawn
Checked
Scale 1/4" = 1'-0"

Sheet No. FS-1.6.0

1 FOOD COURT E & F EQUIPMENT PLAN & SCHEDULE
SCALE: 1/4" = 1'-0"



Orange County
Convention
Center
Food Service
Renovations

Client
Orange County
Convention Center
P.O. Box 691509
Orlando, Florida 32869



C.T. HSU + ASSOCIATES, P.A.
ARCHITECTURE • PLANNING • INTERIOR DESIGN
FL LIC # A-0001322
820 Irma Avenue, Orlando, Florida 32803
Tel 407.423.0098 Fax 407.423.4793

Consultants



GALVIN DESIGN GROUP, INC.
13422 Sunset Lakes Circle
Winter Garden, FL 34787
Office - (407) 654-8766
Fax - (407) 654-8541
Florida Interior Design #D0000408
Florida Business Design #B26000856

NOTICE
The data in this document incorporate proprietary rights of:
C. T. HSU + ASSOCIATES
820 Irma Avenue, Orlando, Florida 32803
Any party accepting this document does so in confidence
and agrees that it shall not be duplicated in whole or in
part nor disclosed to others, without the written consent of
C. T. HSU + ASSOCIATES

Seal/Signature

CONFORMED DOCUMENTS

2 HS 10/03/2019 PERMIT COMMENT

1 HS 12/21/2018 PERMIT COMMENT

No. By Date Revision

No. By Date Issued for

Sheet Title EQUIPMENT SCHEDULE

Job No. 1705.00

Date DECEMBER 7, 2018

Drawn

Checked

Scale 1/4" = 1'-0"

Sheet No. FS-2.6.0

UTILITY SCHEDULE

ItemNo	Quantity	Category	Mfr	Model	ConnectionType	ELECTRICAL					PLUMBING					Equipment Remarks		
						Voltage	Phase	Amps	Kw	Hp	NEMA	Hot Water (in)	Cold Water (in)	Direct Waste Size	Indirect Waste Size		Gas Size(in)	Gas MBTU
1	2	TABLETOP WASTE BIN	FABRICATED	CUSTOM														
2	2	TRASH CAN	BY OWNER															
3	2	SODA ICE & BEVERAGE DISPENSER	SERVEND	MD250	CORD & PLUG	120	1	7.0										
4	2	ICE CUBER	MANITOWOC	SY-0604A	DIRECT	208-230	1	8.3										
5		SPARE NUMBER																
6	2	SODA SYSTEM	PEPSI	BY MANUFACTURER	CORD & PLUG	115	1	6.5										
7	1	COUNTER	FABRICATED	CUSTOM														
8		SPARE NUMBER																
9	6	HAND SINK	EAGLE GROUP	HSAN-10-F														
9A	6	SERVICE FAUCET	T&S BRASS	B-0674-BSTR														
10	1	PIZZA PREPARATION REFRIGERATOR	BEVERAGE AIR	DP67	CORD & PLUG	115	1	6.3										
11		SPARE NUMBER																
12	1	PREP TABLE	FABRICATED	CUSTOM														
13	1	ROLL-IN REFRIGERATOR	VICTORY	RIS-2D-S1	CORD & PLUG	115	1	10.7										
14	1	REACH-IN FREEZER	VICTORY	FS-1D-S1-EW	CORD & PLUG	115	1	10.9										
15	1	TABLE	FABRICATED	CUSTOM														
16	5	HEAT LAMPS	BY OTHERS	BY GC	DIRECT	120	1											
17		SPARE NUMBER																
18	1	PIZZA OVEN	MIDDLEBY	PS536GS-3	DIRECT	208	1	1.5										
19	LOT	HOOD	CAPTIVE-AIRE	6030 ND2ACP-SP-F	DIRECT	120	1	20.0										
20	1	FAN	CAPTIVE-AIRE	DU200HFA	DIRECT	460	3	6.8										
21	1	RETURN AIR FAN	CAPTIVE-AIRE	A324DMPU	DIRECT	460	3	12.2										
	1		CAPTIVE-AIRE	A324DMPU	DIRECT	460	3	10.5										
	1		CAPTIVE-AIRE	A324DMPU	DIRECT	460	3	10.5										
22		SPARE NUMBER																
23	1	CUT & BOX TABLE	FABRICATED	CUSTOM														
24		SPARE NUMBER																
25	1	COMBI OVEN, DOUBLE	RATIONAL	SCC 62NG ON SCC 62NG	CORD & PLUG	(2)208	1	(2)3.3										
26		SPARE NUMBER	RATIONAL	SCC 62NG ON SCC 62NG														
27	2	RACEWAY	CAPTIVE-AIRE	CUSTOM														
28	2	CHASE	CAPTIVE-AIRE	CUSTOM														
29	1	EQUIPMENT STAND, REFRIGERATED BASE	JADE	JRLH-1S-T-48	CORD & PLUG	120	1	12.6										
30	1	HD RANGE, 48" CHARBROILER	JADE	JTKC-48-RAD-MOD														
31	1	TABLE	FABRICATED	CUSTOM														
32	1	TABLE	FABRICATED	CUSTOM														
33	1	TOASTER, (EXISTING)	ANTUNES	VCT-1000	CORD & PLUG	208	1	12.5	2.6									
34	1	SANDWICH / SALAD PREPARATION REFRIGERATOR	BEVERAGE AIR	SPE48HC-10C	CORD & PLUG	115	1	5	4.0									
35	LOT	HOOD	CAPTIVE-AIRE	6030 ND2ACP-SP-F	DIRECT	120	1	20.0										
35A	1	FAN	CAPTIVE-AIRE	DU240HFA	DIRECT	460	3	7.2										
36		SPARE NUMBER																
37	1	TABLE	FABRICATED	CUSTOM														
38	1	REACH-IN REFRIGERATOR	VICTORY	RS-1D-S1	CORD & PLUG	115	1	9.8										
39	1	REACH-IN FREEZER	VICTORY	FS-2D-S1	CORD & PLUG	115	1	12.0										
40	1	HAND SINK	EAGLE GROUP	HSAN-10-F														
40A	1	SERVICE FAUCET	T&S BRASS	B-0674-BSTR														
41	LOT	HOOD	CAPTIVE-AIRE	5430 ND-2-ACSP-F	DIRECT	120	1	20.0										
42	1	FAN	CAPTIVE-AIRE	DU200HFA	DIRECT	460	3	3.8										
43	3	FRYER BATTERY, GAS	PITCO	SG14	CORD & PLUG	115	1											
44	2	HOT FOOD WELL	APW WYOTT	W-3V	CORD & PLUG	120	1	10.0	1.2									
45	1	FRYER DUMP STATION	PITCO	BNB-SG14	CORD & PLUG	120	1	6.3										
46	1	TABLE	FABRICATED	CUSTOM														
47	EXISTING	COFFEE BREWER (EXISTING)	FETCO	CBS-2150	DIRECT	200-400	1	25.5	6.1									
48		SPARE NUMBER																
49	1	BEVERAGE TABLE	FABRICATED	CUSTOM														
50	1	REACH-IN UNDERCOUNTER REFRIGERATOR	BEVERAGE AIR	UCR-48-AHC	CORD & PLUG	115	1	3.3										
51		SPARE NUMBER																
52	LOT	SHELVING	ISS															
53	1	COIL - COOLER	AMERICAN PANEL	ADT065	DIRECT	115	1	4	0.12									
53A	1	CONDENSING UNIT	AMERICAN PANEL	FFWP-017Z-TFC-020	DIRECT	208-230	3	13.9										
54	1	WALK-IN COOLER	AMERICAN PANEL	CUSTOM	DIRECT	120	1	20.0										
55	1	SHELVING	ISS															
56	1	COIL - FREEZER	AMERICAN PANEL	LET047	DIRECT	208-230	1	5.2	1.8									
56A	1	CONDENSING UNIT	AMERICAN PANEL	FFWP-020Z-TFC-020	DIRECT	208-230	3	11.8										
57	1	WALK-IN FREEZER	AMERICAN PANEL	CUSTOM	DIRECT	120	1	20.0										
58	1	SHELVING	ISS															
59	1	MUSIC SYSTEM	CUSTOM															
60	1	STAINLESS CORNER GUARD	FABRICATED	CUSTOM														
61	1	POT RACK SHELF	FABRICATED	CUSTOM														
62	1	3-COMPARTMENT SINK (EXISTING)	EXISTING															
63	1	SERVICE FAUCET	T&S BRASS	B-0655-RGH														
64	2	TROUGH DRAIN	FABRICATED	CUSTOM														
65	1	ICE BIN (EXISTING)	EXISTING															
66	1	ICE MAKER (EXISTING)	EXISTING															
67		SPARE NUMBER																
68	1	SNEEZE GUARD W/HEAT LAMPS	PREMIER METAL & GLASS	TM2N-A	DIRECT	120	1	1.4										
	1		PREMIER METAL & GLASS	TM2N-A	DIRECT	120	1	1.4										
	1		PREMIER METAL & GLASS	TM2N-A	DIRECT	120	1	0.8										
69		SPARE NUMBER																
70	4	POS/CASH	BY OWNER	BY OWNER	CORD & PLUG	120	1	5										
71	6	PRINTER	BY OWNER	BY OWNER	CORD & PLUG	120	1	2.0										
72	1	COUNTER	FABRICATED	CUSTOM	DIRECT	120/208	3	120.0										
	1		FABRICATED	CUSTOM		(9)120	1											
	1		FABRICATED	CUSTOM		(6)208	1											
73		SPARE NUMBER																
74		SPARE NUMBER																
75	1	HEATED SHELF FOOD WARMER	HATCO	GRSBF-60-O	CORD & PLUG	12												



Orange County
Convention
Center
Food Service
Renovations

Client
Orange County
Convention Center
P.O. Box 691509
Orlando, Florida 32869



C.T. HSU + ASSOCIATES, P.A.
ARCHITECTURE • PLANNING • INTERIOR DESIGN
FL LIC # AC-0001322
820 Irma Avenue, Orlando, Florida 32803
Tel 407.423.0098 Fax 407.423.4793

Consultants



GALVIN DESIGN GROUP, INC.
13422 Sunset Lakes Circle
Winter Garden, FL 34787
Office - (407) 654-8766
Fax - (407) 654-5841
Florida Interior Design #DD0000408
Florida Business Design #B26000856

NOTICE
The data in this document incorporate proprietary rights of:
C. T. HSU + ASSOCIATES
820 Irma Avenue, Orlando, Florida 32803
Any party accepting this document does so in confidence and agrees that it shall not be duplicated in whole or in part nor disclosed to others, without the written consent of
C. T. HSU + ASSOCIATES

Seal/Signature

CONFORMED DOCUMENTS

2 HS 10/03/2019 PERMIT COMMENT

1 HS 12/21/2018 PERMIT COMMENT

No. By Date Revision

No. By Date Issued for

Sheet Title PLUMBING PLAN & SCHEDULE

Job No. 1705.00

Date DECEMBER 7, 2018

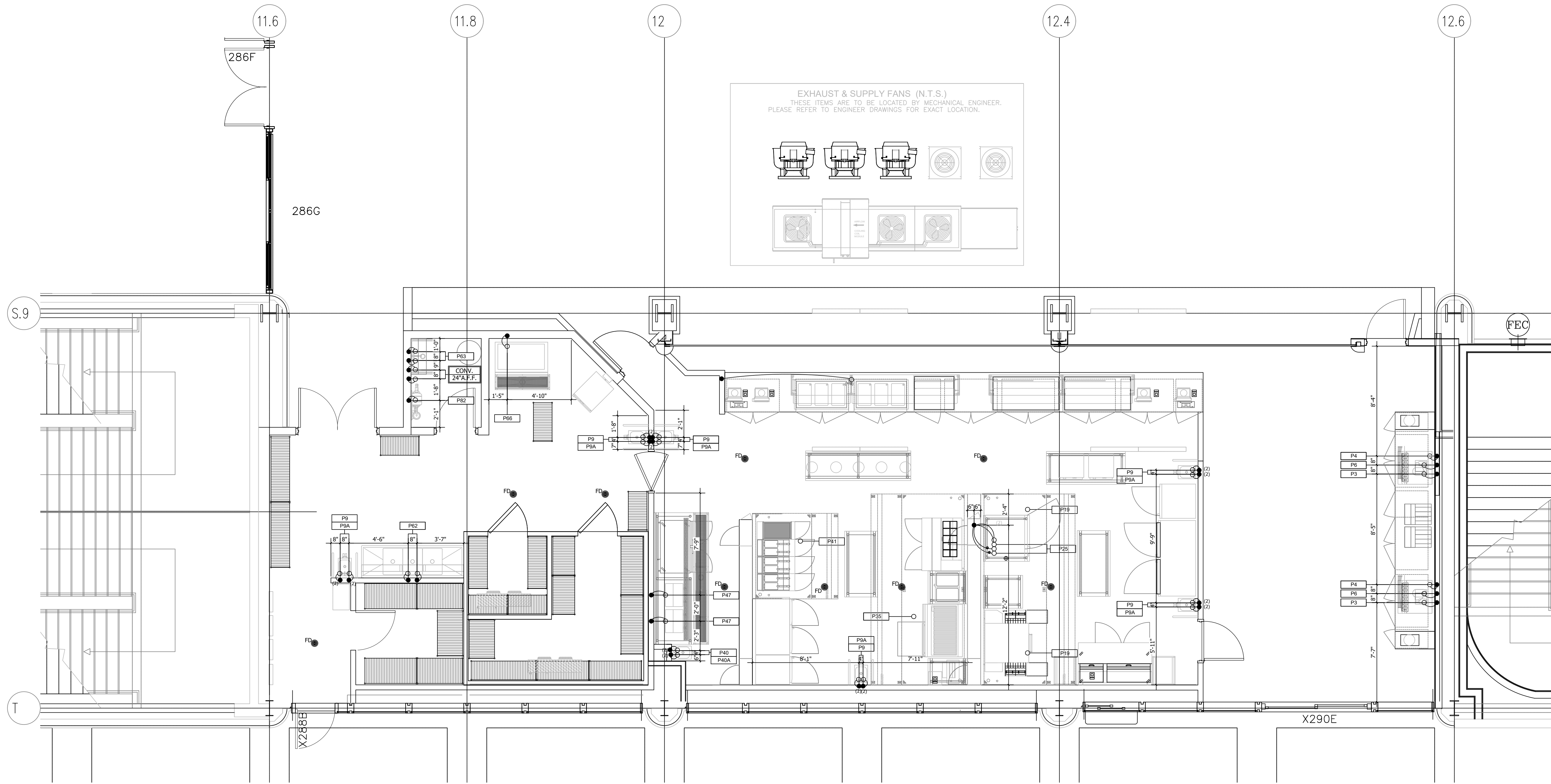
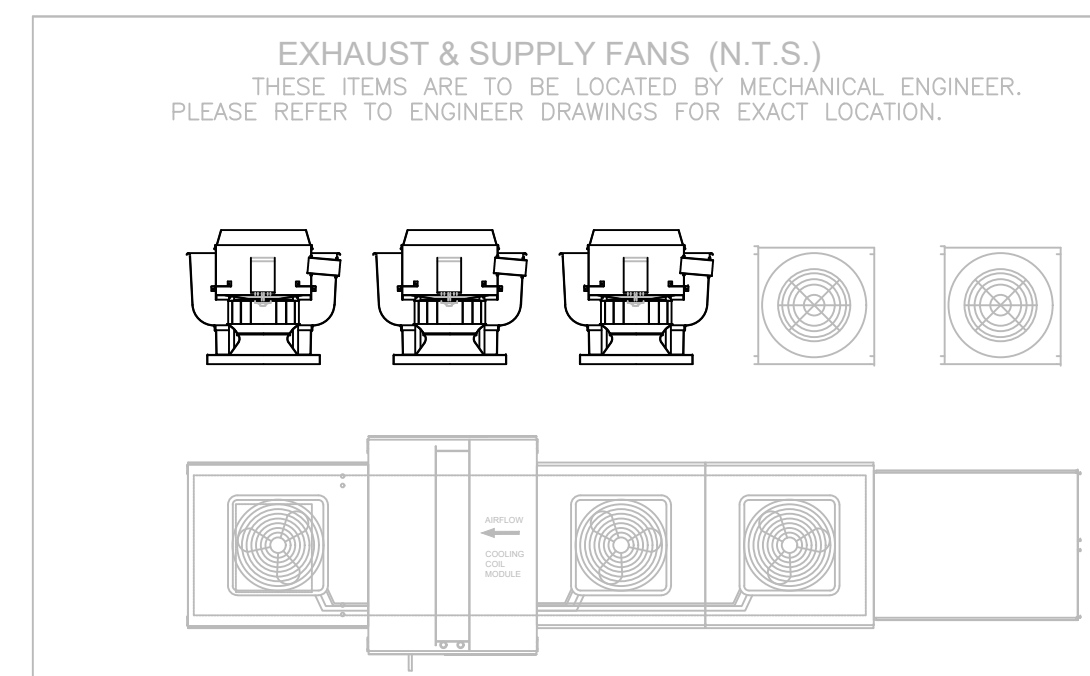
Drawn

Checked

Scale 1/4" = 1'-0"

Sheet No. FS-4.6.0

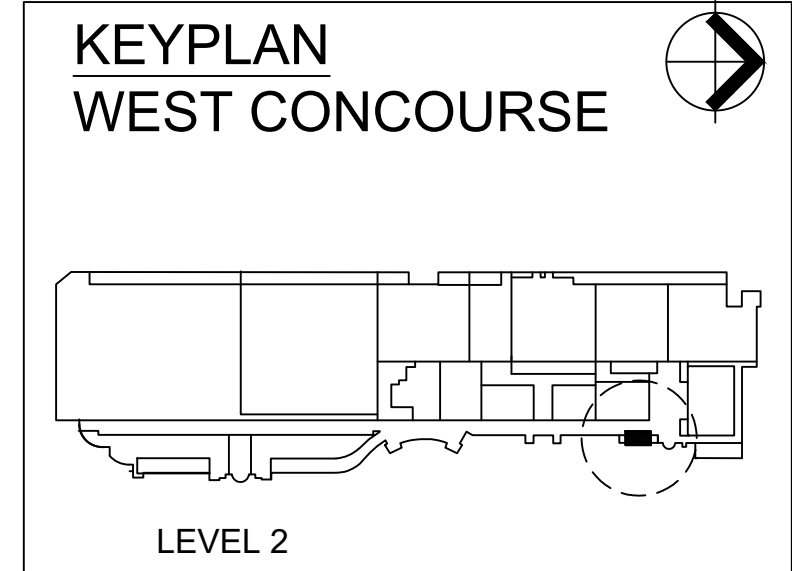
PLUMBING SCHEDULE									
ITEMNO	QTY	CATEGORY	HOT WATER (IN)	HOT WATER CONN. AFF	COLD WATER (IN)	COLD WATER CONN. AFF	CONDENSER WATER INLET	CONDENSER WATER OUTLET	PLUMBING REMARKS
3	2	SODA ICE & BEVERAGE DISPENSER			1/2"	60"			CONNECTED TO ITEM #82
4	2	ICE CUBER			1/2"	60"			CONNECTED TO ITEM #82
6	2	SODA SYSTEM			1/2"	18"			CONNECTED TO ITEM #82
9	6	HAND SINK	1/2"	18"	1/2"	18"			
9A	6	SERVICE FAUCET	1/2"	18"	1/2"	18"			
18	1	PIZZA OVEN			1/2"	18"			
19	LOT	HOOD	(2)3/4"	DN					SEE MANUFACTURER DRAWINGS FOR MORE DETAILS
25	1	COMBI OVEN, DOUBLE			(2)3/4"	48"			COMMON WATER CONNECTION
	1				3/4"	48"			CONNECTED TO ITEM #82
35	LOT	HOOD	3/4"	DN					SEE MANUFACTURER DRAWINGS FOR MORE DETAILS
40	1	HAND SINK	1/2"	18"	1/2"	18"			
40A	1	SERVICE FAUCET	1/2"	18"	1/2"	18"			
41	LOT	HOOD	3/4"	DN					SEE MANUFACTURER DRAWINGS FOR MORE DETAILS
47	EXISTING	COFFEE BREWER (EXISTING)			3/8"	48"			CONNECTED TO ITEM #82
53A	1	CONDENSING UNIT					1/2"	1/2"	SEE MANUFACTURER DRAWINGS FOR MORE DETAILS
56A	1	CONDENSING UNIT					1/2"	1/2"	SEE MANUFACTURER DRAWINGS FOR MORE DETAILS
62	1	3-COMPARTMENT SINK (EXISTING)	1/2"	18"	1/2"	18"			EXISTING EQUIPMENT, VERIFY UTILITIES
63	1	SERVICE FAUCET	1/2"	36"	1/2"	36"			
66	1	ICE MAKER (EXISTING)			1/2"	60"			EXISTING EQUIPMENT, VERIFY UTILITIES. CONNECTED TO ITEM #82
78	1	PRE-RINSE SPRAY VALVE			1/2"	18"			
82	1	WATER FILTER			3/4"	84"			
85	1	CAN/MOP SINK	1/2"	36"	1/2"	36"			INTERCONNECT TO ITEMS #3, 4, 6, 25, 47, 66



- PLUMBING NOTES**
- PLUMBING ENGINEER IS RESPONSIBLE FOR SPECIFYING CONVENIENCE AND FLOOR DRAIN LOCATION AND SIZING AS REQUIRED BY LOCAL CODES AND REGULATIONS.
 - SEE EQUIPMENT PLAN AND SCHEDULE FOR ADDITIONAL INFORMATION.
 - P.C. TO PROVIDE ALL ROUGH-IN AND FINAL CONNECTIONS TO ALL EQUIPMENT SHOWN HEREIN.
 - SOLID DOT REPRESENTS ROUGH-IN LOCATION. (FURNISHED BY P.C.)
DOTTED LINE REPRESENTS FINAL CONNECTION. (FURNISHED BY P.C.)
CIRCLE REPRESENTS CONNECTION TO EQUIPMENT. (FURNISHED BY P.C.)
 - PLUMBING CONTRACTOR (P.C.) TO KEEP ALL PLUMBING LINES CLEAR OF WALLBACKING AREAS.
 - P.C. TO PROVIDE AND INSTALL REGULATORS AS REQUIRED.
 - P.C. TO VERIFY PLUMBING REQUIREMENTS AND LOCATIONS FOR EQUIPMENT SUPPLIED BY OTHERS.

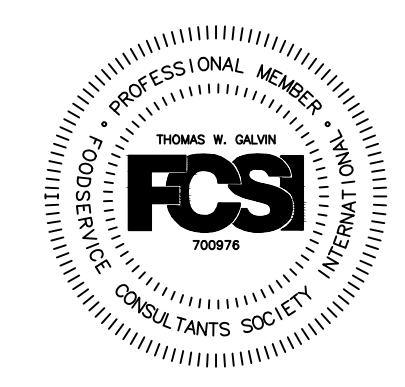
PLUMBING LEGEND

SYMBOLS	ABBREVIATIONS
●	HW HOT WATER
○	CW COLD WATER
○	FD DRAIN
○	FD ABOVE FINISHED FLOOR
○	FD FLOOR DRAIN
○	FS FLOOR SINK
○	FT FLOOR TROUGH
○	DN DOWN FROM ABOVE
○	W WASTE
○	P PLUMBING
○	IW INDIRECT WASTE



NOTE: REFER TO PAGE FS-D1 FOR DRAWING DETAILS

NOTE: AREA FLOOR DRAINS SHOWN AS SUGGESTED QUANTITIES & LOCATIONS



NOTICE: GENERAL CONTRACTOR SHALL REVIEW THE FOODSERVICE BROCHURE AS PART OF THE OVERALL SCOPE OF THE PROJECT. THE NOTES AND DETAILS IN THIS DRAWING ARE FOR INFORMATION ONLY AND ARE NOT TO BE CONSIDERED A COMPLETE SET. THE GENERAL CONTRACTOR USES BEST RESOURCES TO OBTAIN A COMPETITIVE BID. FAILURE TO REVIEW BOTH SETS OF DOCUMENTS WILL RESULT IN GENERAL CHANGE ORDERS WHICH SHALL BE THE RESPONSIBILITY OF THE GENERAL CONTRACTOR AND SUB-CONTRACTORS.

COPYRIGHT 2017 GALVIN DESIGN GROUP, INC. ALL ELEMENTS OF THIS DRAWING INCLUDING INDIVIDUAL SYMBOLS ARE PROPERTY OF GALVIN DESIGN GROUP, INC. AND MAY NOT BE ALTERED OR REPRODUCED WITHOUT EXPRESS WRITTEN PERMISSION.

1 FOOD COURT E & F PLUMBING PLAN & SCHEDULE
SCALE: 1/4" = 1'-0"



Orange County
Convention
Center
Food Service
Renovations

Client
Orange County
Convention Center
P.O. Box 691509
Orlando, Florida 32869



C.T. HSU + ASSOCIATES, P.A.
ARCHITECTURE • PLANNING • INTERIOR DESIGN
FL LIC# AA-0001322
820 Irma Avenue
Orlando, FL 32803
Tel 407.423.0098 Fax 407.423.4793

Consultants



GALVIN DESIGN GROUP, INC.
13422 Sunset Lakes Circle
Winter Garden, FL 34787
Office - (407) 654-8766
Fax - (407) 654-5841
Florida Interior Design #D0000408
Florida Business Design #B26000856

NOTICE
The data in this document incorporate proprietary rights of:
C. T. HSU + ASSOCIATES
820 Irma Avenue, Orlando, Florida 32803
Any party accepting this document does so in confidence
and agrees that it shall not be duplicated in whole or in
part nor disclosed to others, without the written consent of
C. T. HSU + ASSOCIATES

Seal/Signature

CONFORMED DOCUMENTS

2 HS 10/03/2019 PERMIT COMMENT

1 HS 12/21/2018 PERMIT COMMENT

No. By Date Revision

No. By Date Issued for

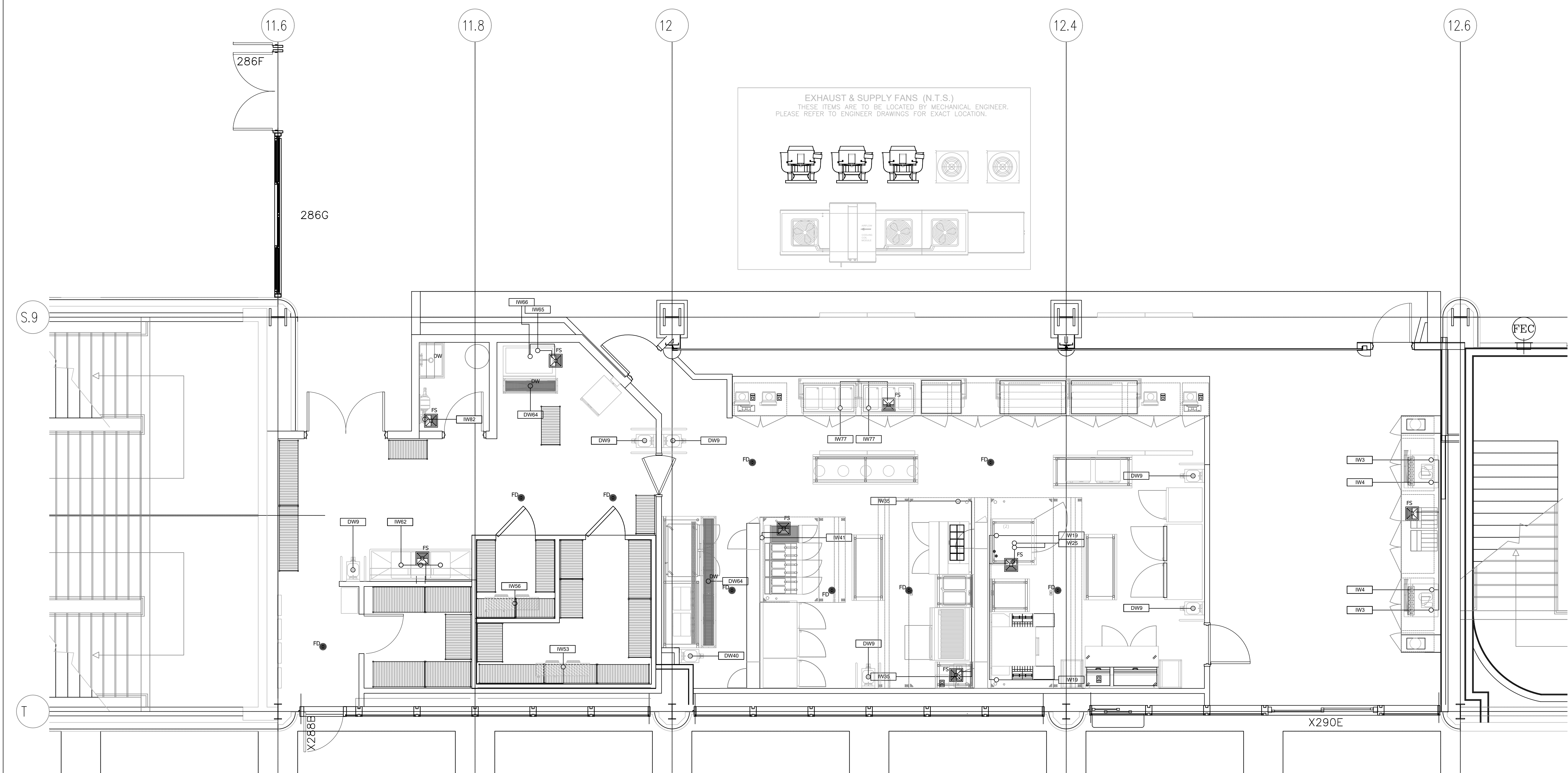
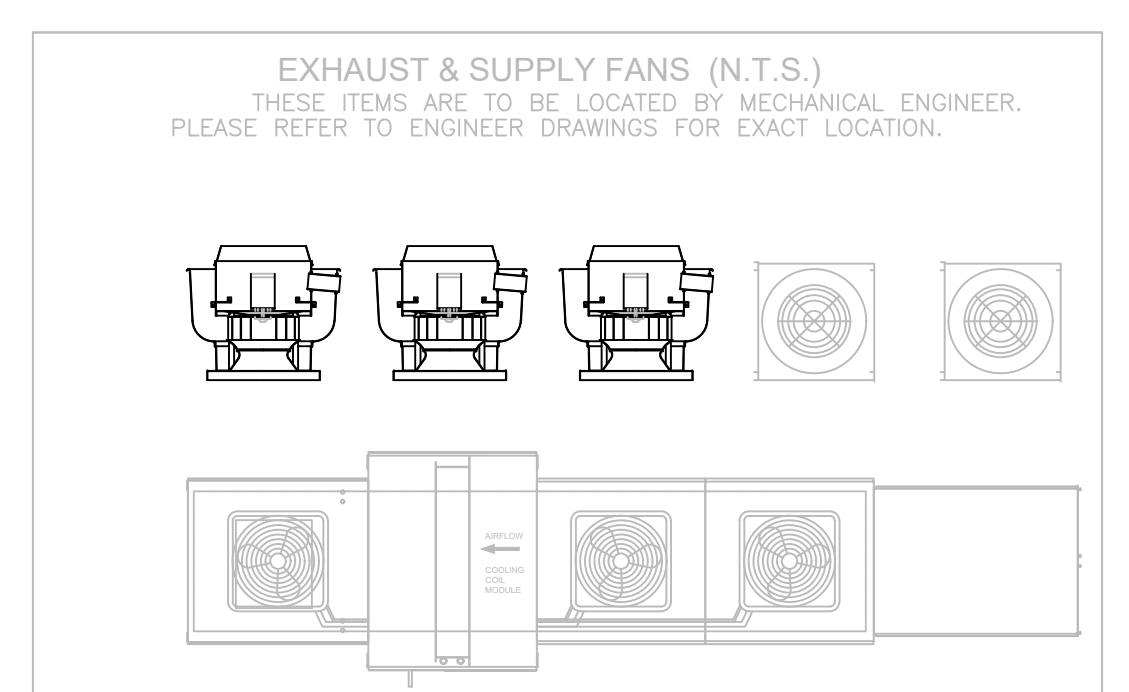
Sheet Title DRAIN PLAN & SCHEDULE

Job No. 1705.00
Date DECEMBER 7, 2018

Drawn
Checked
Scale 1/4" = 1'-0"

Sheet No. FS-4.6.1

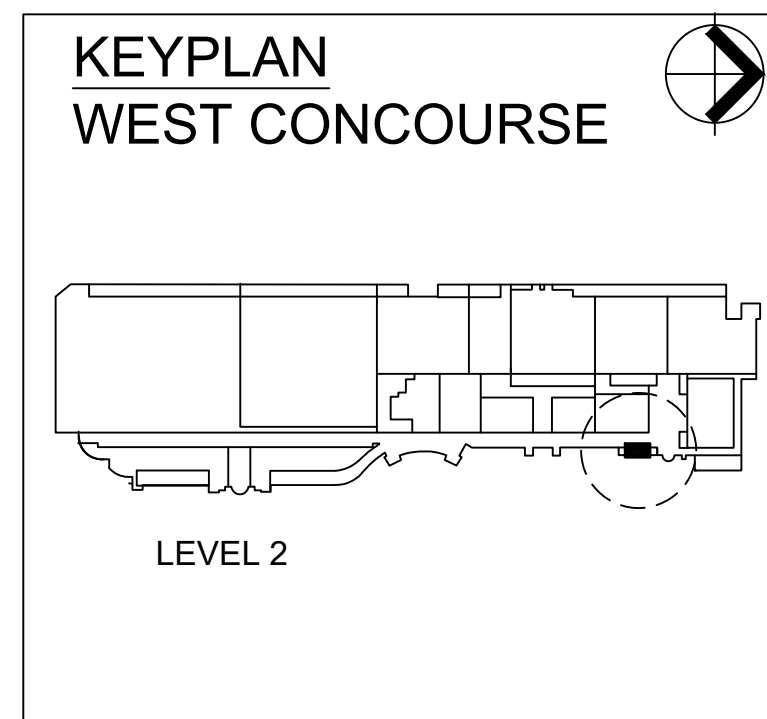
WASTE SCHEDULE						
ITEMNO	QUANTITY	CATEGORY	DIRECT WASTE SIZE	DIRECT WASTE CONN. HEIGHT(IN)	INDIRECT WASTE SIZE	PLUMBING REMARKS
3	2	SODA ICE & BEVERAGE DISPENSER			3/4"	CONNECTED TO ITEM #82
4	2	ICE CUBER			3/4"	CONNECTED TO ITEM #82
9	6	HAND SINK	1-1/2"	20"		
19	LOT	HOOD			(2)1-1/2"	SEE MANUFACTURER DRAWINGS FOR MORE DETAILS
25	1	COMBI OVEN, DOUBLE			(2)2"	COMMON WATER CONNECTION
35	LOT	HOOD			(2)1-1/2"	SEE MANUFACTURER DRAWINGS FOR MORE DETAILS
40	1	HAND SINK	1-1/2"	20"		
41	LOT	HOOD			1-1/2"	SEE MANUFACTURER DRAWINGS FOR MORE DETAILS
53	1	COIL - COOLER			3/4"	SEE MANUFACTURER DRAWINGS FOR MORE DETAILS
56	1	COIL - FREEZER			3/4"	SEE MANUFACTURER DRAWINGS FOR MORE DETAILS
62	1	3-COMPARTMENT SINK (EXISTING)			(3)1-1/2"	EXISTING EQUIPMENT, VERIFY UTILITIES
65	1	ICE BIN (EXISTING)			1"	EXISTING EQUIPMENT, VERIFY UTILITIES
66	1	ICE MAKER (EXISTING)			1"	EXISTING EQUIPMENT, VERIFY UTILITIES. CONNECTED TO ITEM #82
77	2	HOT / COLD FOOD WELL UNIT, DROP-IN, ELECTRIC			1/2"	
82	1	WATER FILTER			3/4"	INTERCONNECT TO ITEMS #3, 4, 6, 25, 47, 66
85	1	CAN/MOP SINK	4"	0"		



- PLUMBING NOTES**
- PLUMBING ENGINEER IS RESPONSIBLE FOR SPECIFYING CONVENIENCE AND FLOOR DRAIN LOCATION AND SIZING AS REQUIRED BY LOCAL CODES AND REGULATIONS.
 - SEE EQUIPMENT PLAN AND SCHEDULE FOR ADDITIONAL INFORMATION.
 - P.C. TO PROVIDE ALL ROUGH-IN AND FINAL CONNECTIONS TO ALL EQUIPMENT SHOWN HEREIN.
 - SOLID DOT REPRESENTS ROUGH-IN LOCATION. (FURNISHED BY P.C.)
DOTTED LINE REPRESENTS FINAL CONNECTION. (FURNISHED BY P.C.)
CIRCLE REPRESENTS CONNECTION TO EQUIPMENT. (FURNISHED BY P.C.)
 - PLUMBING CONTRACTOR (P.C.) TO KEEP ALL PLUMBING LINES CLEAR OF WALLBACKING AREAS.
 - P.C. TO PROVIDE AND INSTALL REGULATORS AS REQUIRED.
 - P.C. TO VERIFY PLUMBING REQUIREMENTS AND LOCATIONS FOR EQUIPMENT SUPPLIED BY OTHERS.

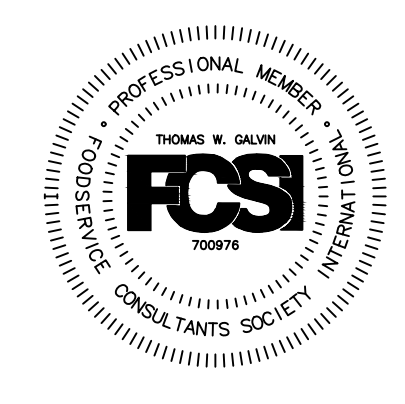
PLUMBING LEGEND

SYMBOLS	ABBREVIATIONS
●	HW HOT WATER
○	CW COLD WATER
○	FD DRAIN
○	AFF ABOVE FINISHED FLOOR
○	FD FLOOR DRAIN
○	FS FLOOR SINK
○	FT FLOOR TROUGH
○	DN DOWN FROM ABOVE
○	W WASTE
○	P PLUMBING
○	IW INDIRECT WASTE



NOTE: REFER TO PAGE FS-D1 FOR DRAWING DETAILS

NOTE: AREA FLOOR DRAINS SHOWN AS SUGGESTED QUANTITIES & LOCATIONS



NOTE: GENERAL CONTRACTOR SHALL REVIEW THE FOODSERVICE BROCHURE AS PART OF THE OVERALL SCOPE OF THE PROJECT. THE NOTES AND DETAILS IN THE BROCHURE ALONG WITH THESE PLANS ARE CONSIDERED A COMPLETE SET. THE GENERAL CONTRACTOR USES BOTH RESOURCES TO OBTAIN A COMPETITIVE BID. FAILURE TO REVIEW BOTH SETS OF DOCUMENTS WILL RESULT IN SEVERAL CHANGE ORDERS WHICH SHALL BE THE RESPONSIBILITY OF THE GENERAL CONTRACTOR AND SUB-CONTRACTORS.

COPYRIGHT 2017 GALVIN DESIGN GROUP, INC.
ALL ELEMENTS OF THIS DRAWING INCLUDING INDIVIDUAL SYMBOLS ARE PROPERTY OF GALVIN DESIGN GROUP, INC. AND MAY NOT BE ALTERED OR REPRODUCED WITHOUT EXPRESS WRITTEN PERMISSION.

1 FOOD COURT E & F DRAIN PLAN & SCHEDULE
SCALE: 1/4" = 1'-0"



Orange County
Convention
Center
Food Service
Renovations

Client
Orange County
Convention Center
P.O. Box 691509
Orlando, Florida 32869



C.T. HSU + ASSOCIATES, P.A.
ARCHITECTURE • PLANNING • INTERIOR DESIGN
FL. LIC# AA-0001322
820 Irma Avenue Orlando, FL 32803
Tel 407.423.0098 Fax 407.423.4793

Consultants



GALVIN DESIGN GROUP, INC.
13422 Sunset Lakes Circle
Winter Garden, FL 34787
Office - (407) 654-8766
Fax - (407) 654-5841
Florida Interior Design #D0000408
Florida Business Design #B26000856

NOTICE
The data in this document incorporate proprietary rights of:
C. T. HSU + ASSOCIATES
820 Irma Avenue, Orlando, Florida 32803
Any party accepting this document does so in confidence
and agrees that it shall not be duplicated in whole or in
part nor disclosed to others, without the written consent of
C. T. HSU + ASSOCIATES

Seal/Signature

CONFORMED DOCUMENTS

2 HS 10/03/2019 PERMIT COMMENT

1 HS 12/21/2018 PERMIT COMMENT

No. By Date Revision

No. By Date Issued for

Sheet Title GAS PLAN & SCHEDULE

Job No. 1705.00

Date DECEMBER 7, 2018

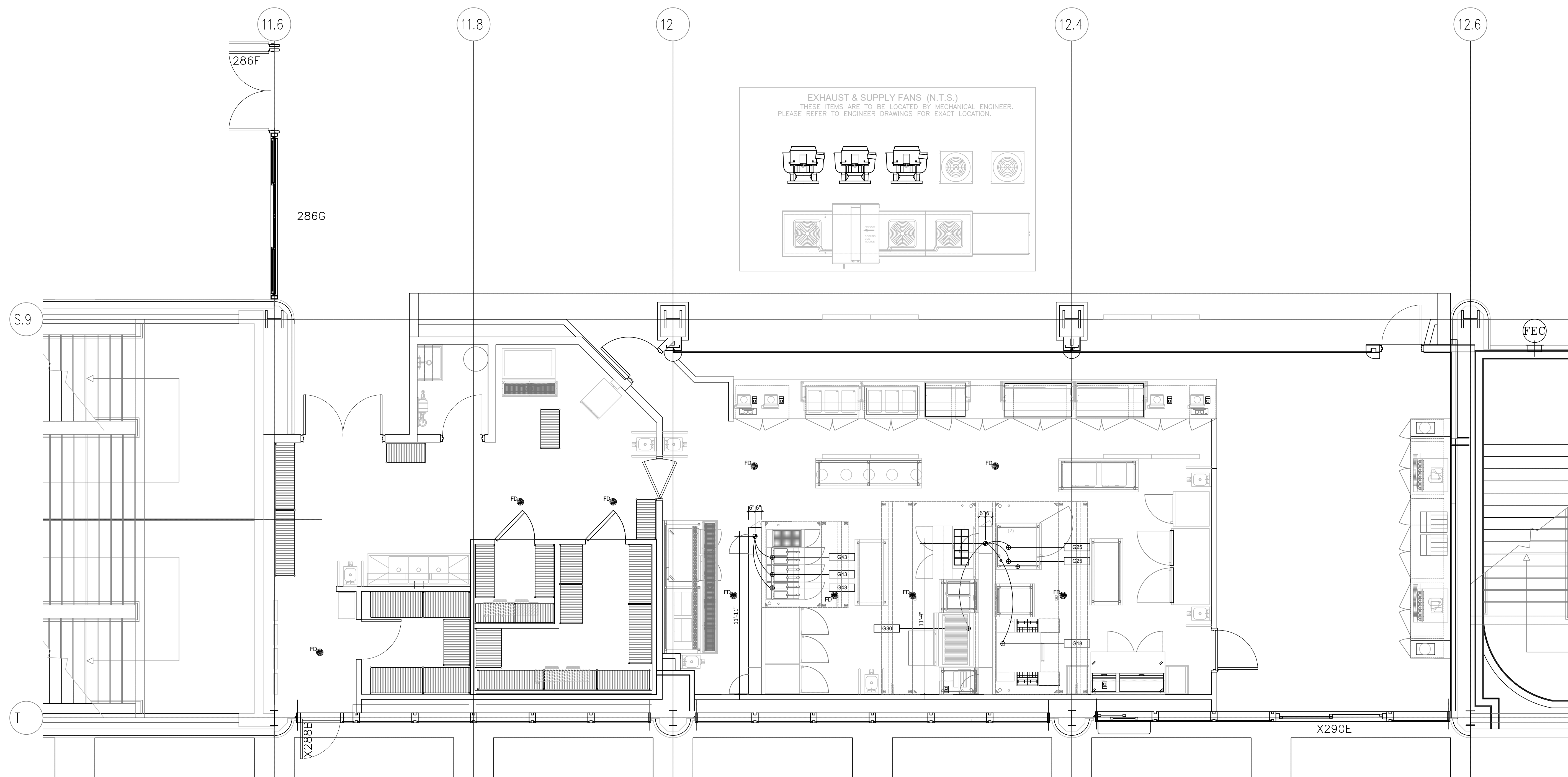
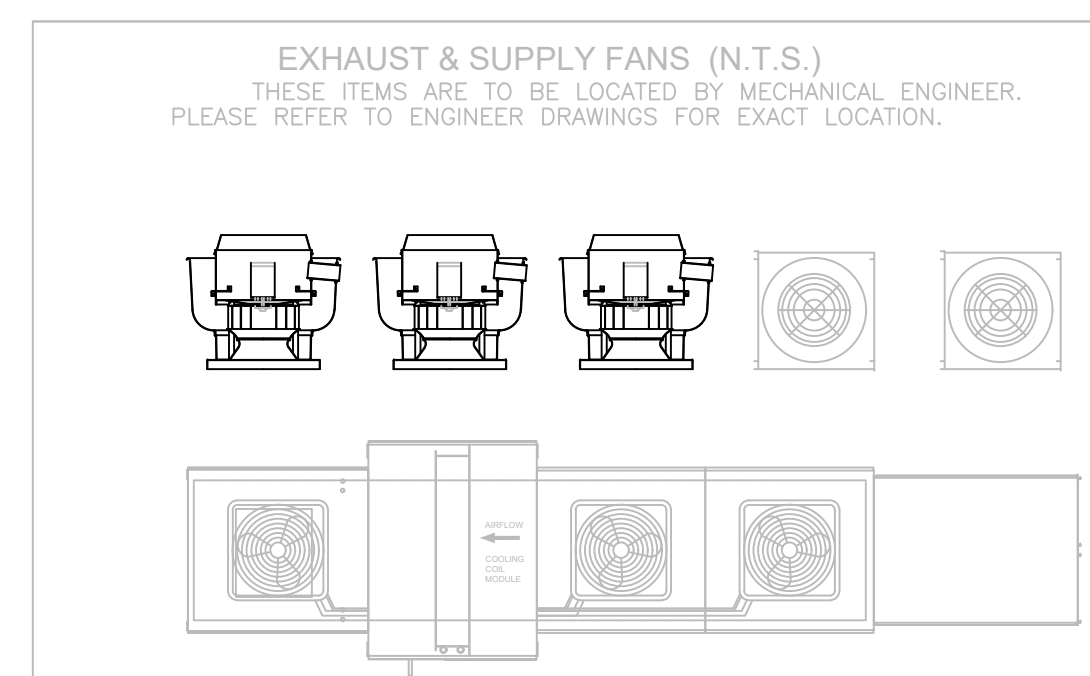
Drawn

Checked

Scale 1/4" = 1'-0"

Sheet No. FS-4.6.2

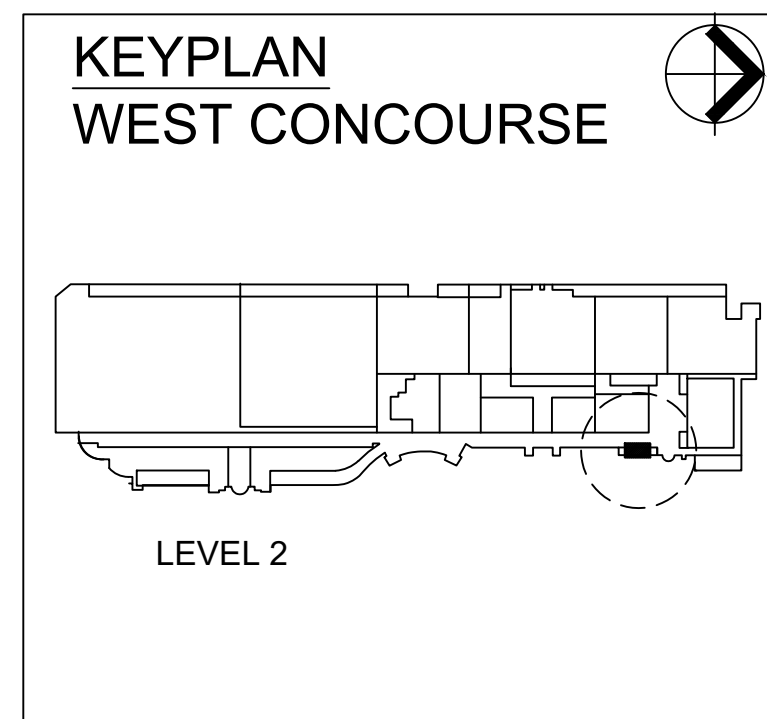
GAS SCHEDULE						
ITEMNO	QUANTITY	CATEGORY	GAS SIZE(IN)	GASCONN.HEIGHT(IN)	GAS MBTU	PLUMBING REMARKS
18	1	PIZZA OVEN	1-1/2"	30"	2250	
25	1	COMBI OVEN, DOUBLE	(2)3/4"	30"	105	COMMON WATER CONNECTION
30	1	HD RANGE, 48" CHARBROILER	3/4"	30"	120.0	
43	1	FRYER BATTERY, GAS	3/4"	30"	110.0	



- PLUMBING NOTES**
- PLUMBING ENGINEER IS RESPONSIBLE FOR SPECIFYING CONVENIENCE AND FLOOR DRAIN LOCATION AND SIZING AS REQUIRED BY LOCAL CODES AND REGULATIONS.
 - SEE EQUIPMENT PLAN AND SCHEDULE FOR ADDITIONAL INFORMATION.
 - P.C. TO PROVIDE ALL ROUGH-IN AND FINAL CONNECTIONS TO ALL EQUIPMENT SHOWN HEREIN.
 - SOLID DOT REPRESENTS ROUGH-IN LOCATION. (FURNISHED BY P.C.)
DOTTED LINE REPRESENTS FINAL CONNECTION. (FURNISHED BY P.C.)
CIRCLE REPRESENTS CONNECTION TO EQUIPMENT. (FURNISHED BY P.C.)
 - PLUMBING CONTRACTOR (P.C.) TO KEEP ALL PLUMBING LINES CLEAR OF WALLBACKING AREAS.
 - P.C. TO PROVIDE AND INSTALL REGULATORS AS REQUIRED.
 - P.C. TO VERIFY PLUMBING REQUIREMENTS AND LOCATIONS FOR EQUIPMENT SUPPLIED BY OTHERS.

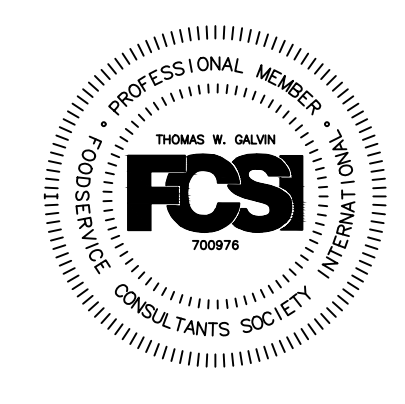
PLUMBING LEGEND

SYMBOLS	ABBREVIATIONS
●	HW HOT WATER
○	CW COLD WATER
●	DRAIN
○	CONNECTION
○	FLOOR SINK HALF GRATE
○	FLOOR DRAIN AS NOTED
○	FLOOR DRAIN
○	GAS LINE
○	GAS CONNECTION
○	CONDENSED WATER
○	INDIRECT WASTE LINE
○	PLUMBING INTERCONNECTION
○	INDIRECT WASTE
○	HW HOT WATER
○	CW COLD WATER
○	FD DRAIN
○	AFF ABOVE FINISHED FLOOR
○	FD FLOOR DRAIN
○	FS FLOOR SINK
○	FT FLOOR TROUGH
○	DN DOWN FROM ABOVE
○	W WASTE
○	P PLUMBING
○	IW INDIRECT WASTE



NOTE: REFER TO PAGE FS-D1 FOR DRAWING DETAILS

NOTE: AREA FLOOR DRAINS SHOWN AS SUGGESTED QUANTITIES & LOCATIONS



NOTE: GENERAL CONTRACTOR SHALL REVIEW THE FOODSERVICE BROCHURE AS PART OF THE OVERALL SCOPE OF THE PROJECT. THE NOTES AND DETAILS IN THIS BROCHURE ALONG WITH THESE PLANS ARE CONSIDERED A COMPLETE SET. THE GENERAL CONTRACTOR USES BOTH RESOURCES TO OBTAIN A COMPETITIVE BID. FAILURE NOT TO REVIEW BOTH SETS OF DOCUMENTS WILL RESULT IN ORDER CHANGE ORDERS WHICH SHALL BE THE RESPONSIBILITY OF THE GENERAL CONTRACTOR AND SUB-CONTRACTORS.

COPYRIGHT 2017 GALVIN DESIGN GROUP, INC. ALL ELEMENTS OF THIS DRAWING INCLUDING INDIVIDUAL SYMBOLS ARE PROPERTY OF GALVIN DESIGN GROUP, INC. AND MAY NOT BE ALTERED OR REPRODUCED WITHOUT EXPRESS WRITTEN PERMISSION.

1 FOOD COURT E & F GAS PLAN & SCHEDULE
SCALE: 1/4" = 1'-0"



Orange County
Convention
Center
Food Service
Renovations

Client
Orange County
Convention Center
P.O. Box 691509
Orlando, Florida 32869

Architect



C.T. HSU + ASSOCIATES, P.A.
ARCHITECTURE • PLANNING • INTERIOR DESIGN
FL LIC # AC-001322
820 Irma Avenue Orlando, FL 32803
Tel 407.423.0098 Fax 407.423.4793

Consultants



GALVIN DESIGN GROUP, INC.
13422 Sunset Lakes Circle
Winter Garden, FL 34787
Office - (407) 654-8766
Fax - (407) 654-5841
Florida Interior Design #D0000408
Florida Business Design #B26000856

NOTICE
The data in this document incorporate proprietary rights of:
C. T. HSU + ASSOCIATES
820 Irma Avenue, Orlando, Florida 32803
Any party accepting this document does so in confidence
and agrees that it shall not be duplicated in whole or in
part nor disclosed to others, without the written consent of
C. T. HSU + ASSOCIATES

Seal/Signature

CONFORMED DOCUMENTS

2 HS 10/03/2019 PERMIT COMMENT
1 HS 12/21/2018 PERMIT COMMENT
No. By Date Revision

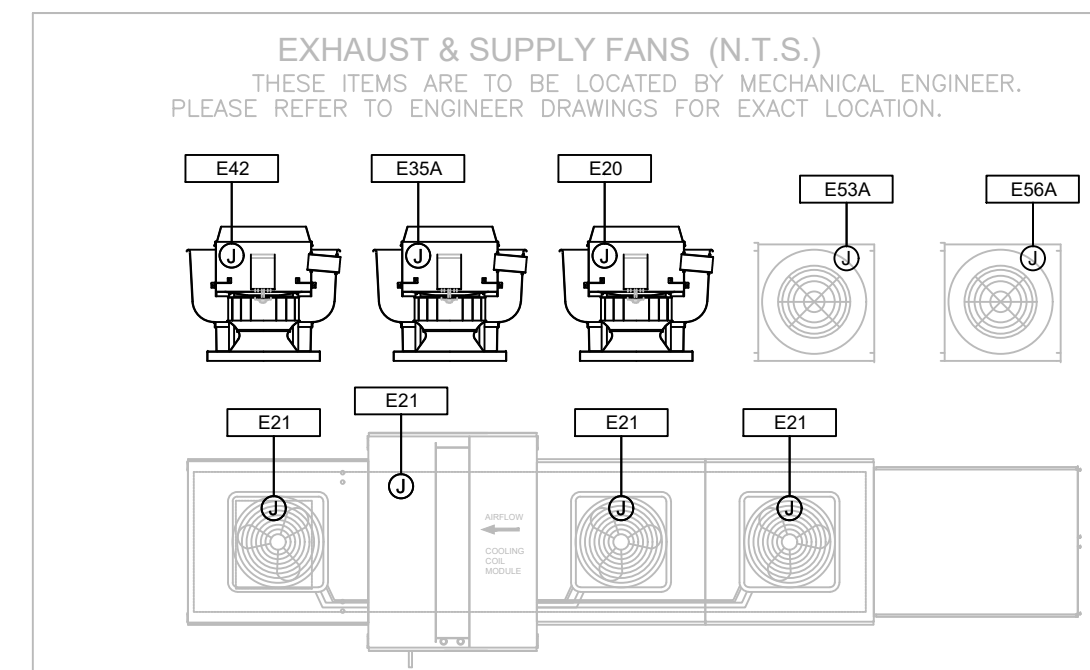
No. By Date Issued for

Sheet Title ELECTRICAL PLAN &
SCHEDULE
Job No. 1705.00
Date DECEMBER 7, 2018
Drawn
Checked
Scale 1/4" = 1'-0"

Sheet No. FS-5.6.0

ELECTRICAL SCHEDULE

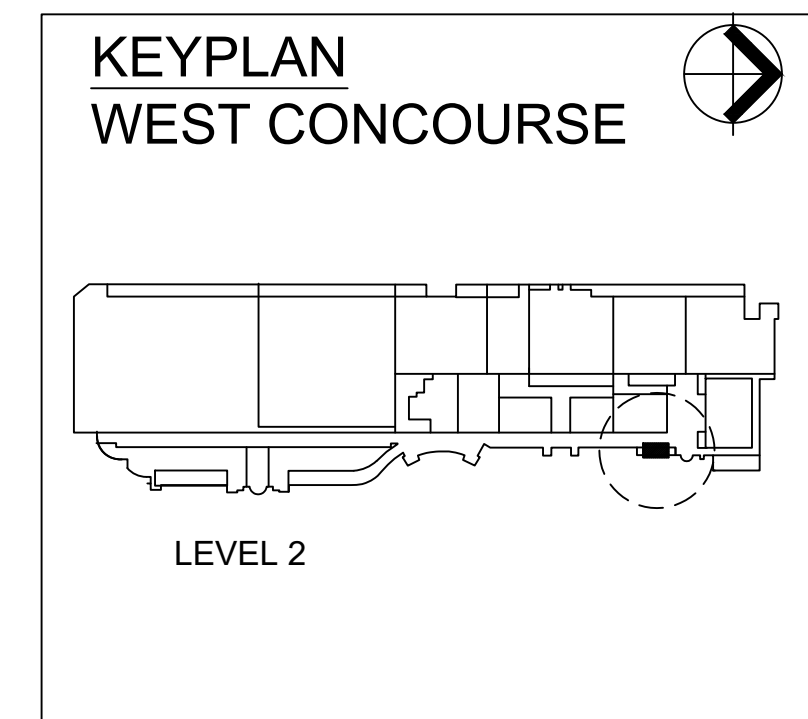
ItemNo	Quantity	Category	ConnectionType	Voltage	Phase	Cycle	Amps	Kw	Hp	NEMA	ElectricalConnectionHeight	Electrical Remarks
3	2	SODA ICE & BEVERAGE DISPENSER	CORD & PLUG	120	1	60	7.0			5-15P	48"	
4	2	ICE CUBER	DIRECT	208-230	1	60	8.3				72"	
6	2	SODA SYSTEM	CORD & PLUG	115	1	60	6.5			5-15P	18"	
10	1	PIZZA PREPARATION REFRIGERATOR	CORD & PLUG	115	1	60	6.3		1/4		18"	
12	1	PREP TABLE	DIRECT	208	1	60	28.9				UP	SEE MANUFACTURER DRAWINGS FOR MORE DETAILS
13	1	ROLL-IN REFRIGERATOR	CORD & PLUG	115	1	60	10.7		1/2	5-15P	84"	
14	1	REACH-IN FREEZER	CORD & PLUG	115	1	60	10.9		1/2	5-15P	84"	
16	5	HEAT LAMPS	DIRECT	120	1	60					DN	
18	1	PIZZA OVEN	DIRECT	208	1	60	1.5				18"	
19	LOT	HOOD	DIRECT	120	1	60	20.0				DN	SEE MANUFACTURER DRAWINGS FOR MORE DETAILS
20	1	FAN	DIRECT	460	3	60	6.8		5.0		DN	SEE MANUFACTURER DRAWINGS FOR MORE DETAILS
21	1	RETURN AIR FAN	DIRECT	460	3	60	12.2		10.0		DN	SEE MANUFACTURER DRAWINGS FOR MORE DETAILS
	1		DIRECT	460	3	60	10.5				DN	CONDENSER #1 - SEE MANUFACTURER DRAWINGS FOR MORE DETAILS
	1		DIRECT	460	3	60	10.5				DN	CONDENSER #2 - SEE MANUFACTURER DRAWINGS FOR MORE DETAILS
	1		DIRECT	460	3	60	10.5				DN	CONDENSER #3 - SEE MANUFACTURER DRAWINGS FOR MORE DETAILS
25	1	COMBI OVEN, DOUBLE	CORD & PLUG	(2)208	1	60	(2)3.3			(2)6-15P	18"	
29	1	EQUIPMENT STAND, REFRIGERATED BASE	CORD & PLUG	120	1	60	12.6		1/3	5-15P	18"	
33	1	TOASTER, (EXISTING)	CORD & PLUG	208	1	60	12.5	2.6		6-20P	48"	
34	1	SANDWICH / SALAD PREPARATION REFRIGERATOR	CORD & PLUG	115	1	60	5	4.0	1/6	5-15P	18"	
35	LOT	HOOD	DIRECT	120	1	60	20.0				DN	SEE MANUFACTURER DRAWINGS FOR MORE DETAILS
35A	1	FAN	DIRECT	460	3	60	7.2		5.0		DN	SEE MANUFACTURER DRAWINGS FOR MORE DETAILS
38	1	REACH-IN REFRIGERATOR	CORD & PLUG	115	1	60	9.8		1/3	5-15P	84"	
39	1	REACH-IN FREEZER	CORD & PLUG	115	1	60	12.0		1/2	5-20P	84"	
41	LOT	HOOD	DIRECT	120	1	60	20.0				DN	SEE MANUFACTURER DRAWINGS FOR MORE DETAILS
42	1	FAN	DIRECT	460	3	60	3.8		2.0		DN	SEE MANUFACTURER DRAWINGS FOR MORE DETAILS
43	3	FRYER BATTERY, GAS	CORD & PLUG	115	1	60			1/3	5-15P	18"	
44	2	HOT FOOD WELL	CORD & PLUG	120	1	60	10.0	1.2		5-15P	48"	
45	1	FRYER DUMP STATION	CORD & PLUG	120	1	60	6.3			5-15P	18"	
47	EXISTING	COFFEE BREWER (EXISTING)	DIRECT	200-400	1	60	25.5	6.1			48"	EXISTING EQUIPMENT, VERIFY UTILITIES
50	1	REACH-IN UNDERCOUNTER REFRIGERATOR	CORD & PLUG	115	1	60	3.3		1/5	5-15P	18"	
53	1	COIL - COOLER	DIRECT	115	1	60	4	0.12			DN	SEE MANUFACTURER DRAWINGS FOR MORE DETAILS
53A	1	CONDENSING UNIT	DIRECT	208-230	3	60	13.9				DN	SEE MANUFACTURER DRAWINGS FOR MORE DETAILS
54	1	WALK-IN COOLER	DIRECT	120	1	60	20.0				DN	SEE MANUFACTURER DRAWINGS FOR MORE DETAILS
56	1	COIL - FREEZER	DIRECT	208-230	1	60	5.2	1.8			DN	SEE MANUFACTURER DRAWINGS FOR MORE DETAILS
56A	1	CONDENSING UNIT	DIRECT	208-230	3	60	11.8				DN	SEE MANUFACTURER DRAWINGS FOR MORE DETAILS
57	1	WALK-IN FREEZER	DIRECT	120	1	60	20.0				DN	SEE MANUFACTURER DRAWINGS FOR MORE DETAILS
66	1	ICE MAKER (EXISTING)	DIRECT	120	1	60					72"	EXISTING EQUIPMENT, VERIFY UTILITIES
68	1	SNEEZE GUARD W/HEAT LAMPS	DIRECT	120	1	60		1.4				CONNECTED TO ITEM #72
	1		DIRECT	120	1	60		1.4				CONNECTED TO ITEM #72
	1		DIRECT	120	1	60		0.8				CONNECTED TO ITEM #72
70	4	POS/CASH	CORD & PLUG	120	1	60	5					CONNECTED TO ITEM #72
71	6	PRINTER	CORD & PLUG	120	1	60	2.0					CONNECTED TO ITEM #72
72	1	COUNTER	DIRECT	120/208	3	60	120.0				18"	INTERCONNECT TO ITEM #68, 70, 71, 73, 75, 76, 77
	1			(9)120	1	60						ADDITIONAL OUTLETS
	1			(6)208	1	60						ADDITIONAL OUTLETS
75	1	HEATED SHELF FOOD WARMER	CORD & PLUG	120	1	60	14.6	1.75		5-15P		CONNECTED TO ITEM #72
76	1	HEATED SHELF FOOD WARMER	CORD & PLUG	120	1	60	14.6	1.75		5-15P		CONNECTED TO ITEM #72
77	2	HOT / COLD FOOD WELL UNIT, DROP-IN, ELECTRIC	CORD & PLUG	120/208	1	60	14.4			14-20P		CONNECTED TO ITEM #72
82	1	WATER FILTER	CORD & PLUG	100-240	1	60				5-15P	84"	
88	1	CABINET, COOK / HOLD / OVEN	DIRECT	208	1	60	28.9	5.3-6.0			18"	
89	2	DISPLAY CASE, HOT FOOD, COUNTERTOP	CORD & PLUG	120	1	60	12			5-15P	18"	
90	1	HEATED SHELF FOOD WARMER	CORD & PLUG	120	1	60	9.3	1.11		5-15P	18"	CONNECTED TO ITEM #72



NOTE: REFER TO PAGE FS-D1
FOR DRAWING DETAILS

ELECTRICAL LEGEND	
SYMBOLS	ABBREVIATIONS
⊕	JUNCTION BOX (J-BOX)
⊖	EQUIPMENT INTERCONNECTION BY E.C.
⊙	ELECTRICAL ROUGH-IN
⊕	DUPLEX ELECTRICAL OUTLET (DEO)
F	FLUORESCENT LIGHT FIXTURE
⊖	BREAKER PANELBOARD
\$	SWITCH AS NOTED
⊕	FLOOR BOX (FL. BOX)
⊕	DATA LINE CONNECTION
CONV.	CONVENIENCE OUTLET 120V 1PH 20A
A	AMPERES
V	VOLTS
W	WATTS
PH	PHASE
AF	ABOVE FINISHED FLOOR
DN	DOWN FROM ABOVE
HP	HORSE POWER
KW	KILOWATTS
K.E.C.	KITCHEN EQUIPMENT CONTRACTOR
E.C.	ELECTRICAL CONTRACTOR

NOTE:
1. FOODSERVICE OUTLETS SHOWN AS A SUGGESTED MINIMUM. ELECTRICAL ENGINEER IS RESPONSIBLE FOR SPECIFYING CONVENIENCE OUTLET LOCATION & SIZING AS REQUIRED BY LOCAL CODES AND REGULATIONS.



NOTE:
GENERAL CONTRACTOR SHALL REVIEW THE FOODSERVICE BROCHURE AS PART OF THE OVERALL SCOPE OF THE PROJECT. THE NOTES AND DETAILS IN THIS BROCHURE ALONG WITH THESE PLANS ARE CONSIDERED A COMPLETE SET. THE GENERAL CONTRACTOR USES BOTH RESOURCES TO OBTAIN A COMPETITIVE BID. ALL CHANGES TO THE SETS OF DOCUMENTS WILL RESULT IN OR SEVERAL CHANGE ORDERS WHICH SHALL BE THE RESPONSIBILITY OF THE GENERAL CONTRACTOR AND SUB-CONTRACTORS.

COPYRIGHT 2017 GALVIN DESIGN GROUP, INC.
ALL ELEMENTS OF THIS DRAWING INCLUDING INDIVIDUAL SYMBOLS ARE PROPERTY OF GALVIN DESIGN GROUP, INC. AND MAY NOT BE ALTERED OR REPRODUCED WITHOUT EXPRESS WRITTEN PERMISSION.

1 FOOD COURT E & F ELECTRICAL PLAN & SCHEDULE
SCALE: 1/4" = 1'-0"



Orange County
Convention
Center
Food Service
Renovations

Client
Orange County
Convention Center
P.O. Box 691509
Orlando, Florida 32869



C.T. HSU + ASSOCIATES, P.A.
ARCHITECTURE • PLANNING • INTERIOR DESIGN
FL LIC# AA-0001322
820 Irma Avenue Orlando, FL 32803
Tel 407.423.0098 Fax 407.423.4793

Consultants



GALVIN DESIGN GROUP, INC.
13422 Sunset Lakes Circle
Winter Garden, FL 34787
Office - (407) 654-8766
Fax - (407) 654-5841
Florida Interior Design #D0000408
Florida Business Design #B26000856

NOTICE
The data in this document incorporate proprietary rights of:
C. T. HSU + ASSOCIATES
820 Irma Avenue, Orlando, Florida 32803
Any party accepting this document does so in confidence
and agrees that it shall not be duplicated in whole or in
part nor disclosed to others, without the written consent of
C. T. HSU + ASSOCIATES

Seal/Signature

CONFORMED DOCUMENTS

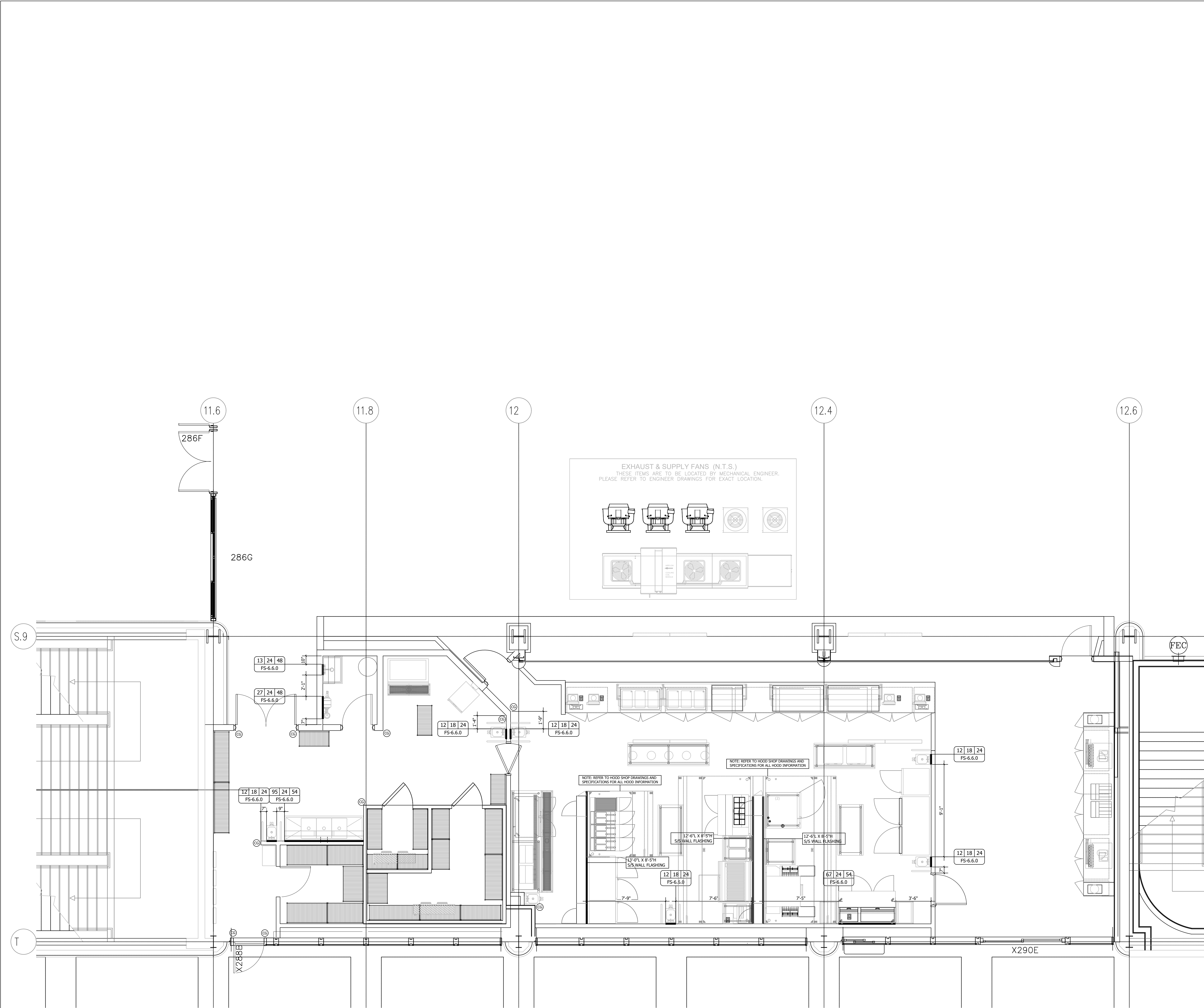
No.	By	Date	Revision
2	HS	10/03/2019	PERMIT COMMENT
1	HS	12/21/2018	PERMIT COMMENT

No.	By	Date	Issued for

Sheet Title BUILDING CONDITIONS PLAN

Job No. 1705.00
Date DECEMBER 7, 2018
Drawn
Checked
Scale 1/4" = 1'-0"

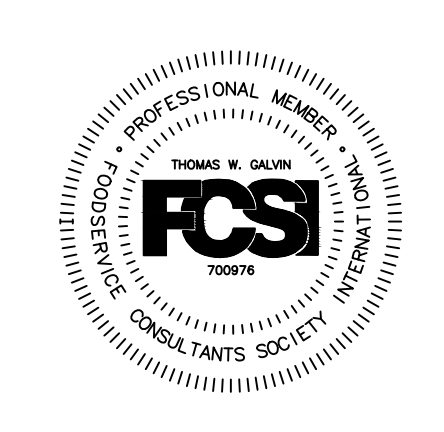
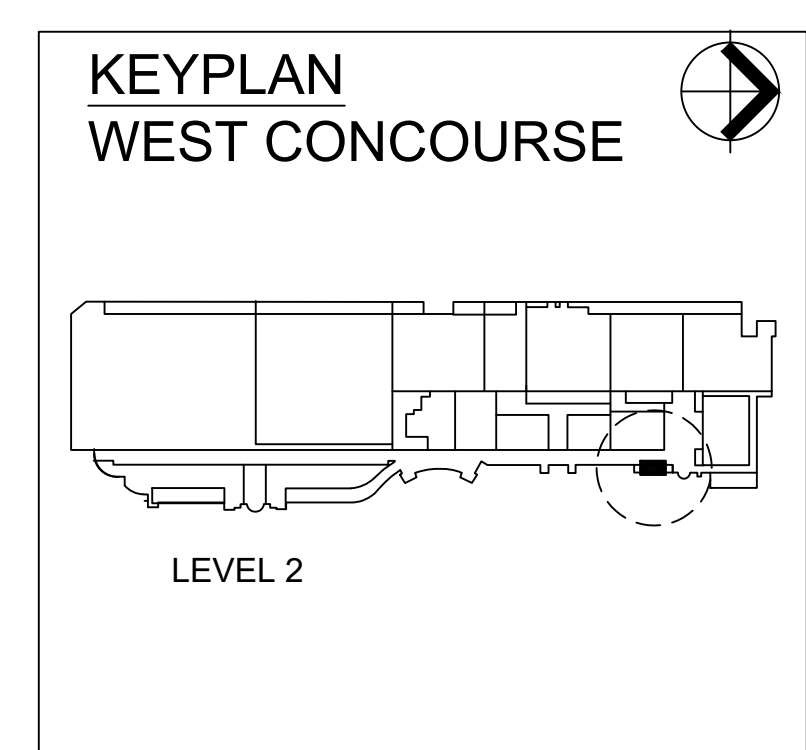
Sheet No. FS-6.6.0



EXHAUST & SUPPLY FANS (N.T.S.)
THESE ITEMS ARE TO BE LOCATED BY MECHANICAL ENGINEER.
PLEASE REFER TO ENGINEER DRAWINGS FOR EXACT LOCATION.

1 FOOD COURT E & F BUILDING CONDITIONS PLAN
SCALE: 1/4" = 1'-0"

NOTE: REFER TO PAGE FS-D1
FOR DRAWING DETAILS



NOTE:
GENERAL CONTRACTOR SHALL REVIEW THE
FOODSERVICE BROCHURE AS PART OF THE OVERALL
SCOPE OF THE PROJECT. THE NOTES AND DETAILS IN
THE BROCHURE ALONG WITH THESE PLANS ARE
CONSIDERED A COMPLETE SET. THE GENERAL
CONTRACTOR USES BOTH RESOURCES TO OBTAIN A
COMPETITIVE BID. FAILURE NOT TO REVIEW BOTH SETS
OF DOCUMENTS WILL RESULT IN NON-REVERSAL CHANGE
ORDERS WHICH SHALL BE THE RESPONSIBILITY OF THE
GENERAL CONTRACTOR AND SUB-CONTRACTORS.

COPYRIGHT 2017 GALVIN DESIGN GROUP, INC.
ALL ELEMENTS OF THIS DRAWING INCLUDING INDIVIDUAL
SYMBOLS ARE PROPERTY OF GALVIN DESIGN GROUP, INC.
AND MAY NOT BE ALTERED OR REPRODUCED WITHOUT
EXPRESS WRITTEN PERMISSION.



Orange County
Convention
Center
Food Service
Renovations

Client
Orange County
Convention Center
P.O. Box 691509
Orlando, Florida 32869



C.T. HSU + ASSOCIATES, P.A.
ARCHITECTURE • PLANNING • INTERIOR DESIGN
FL LIC # AA-0001322
820 Irma Avenue Orlando, FL 32803
Tel 407.423.0098 Fax 407.423.4793

Consultants



GALVIN DESIGN GROUP, INC.
13422 Sunset Lakes Circle
Winter Garden, FL 34787
Office - (407) 654-8766
Fax - (407) 654-5841
Florida Interior Design #D0000408
Florida Business Design #B26000856

NOTICE
The data in this document incorporate proprietary rights of:
C. T. HSU + ASSOCIATES
820 Irma Avenue, Orlando, Florida 32803
Any party accepting this document does so in confidence and agrees that it shall not be duplicated in whole or in part nor disclosed to others, without the written consent of
C. T. HSU + ASSOCIATES

Seal/Signature

CONFORMED DOCUMENTS

2 HS 10/03/2019 PERMIT COMMENT
1 HS 12/21/2018 PERMIT COMMENT

No. By Date Revision

No. By Date Issued for

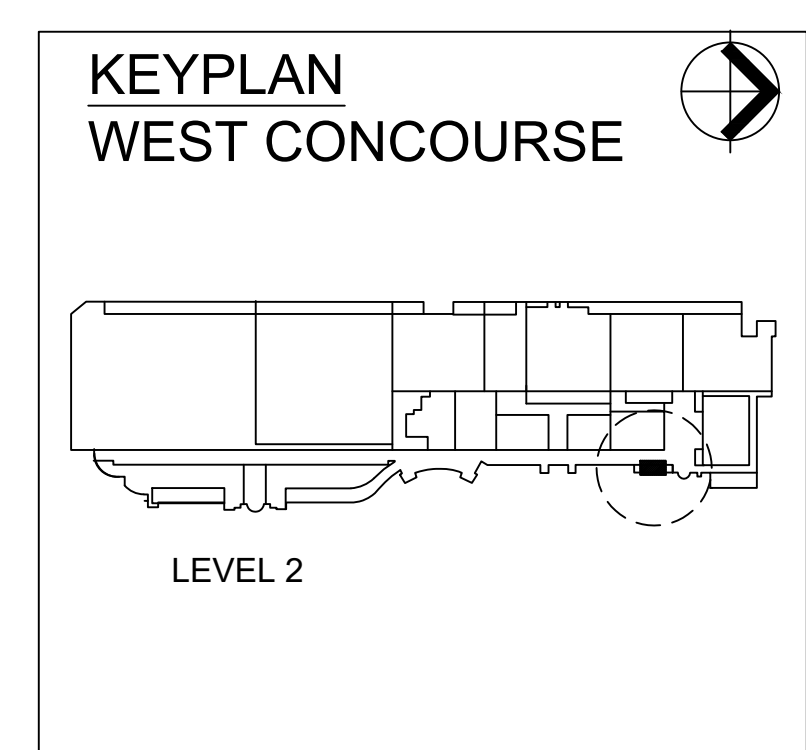
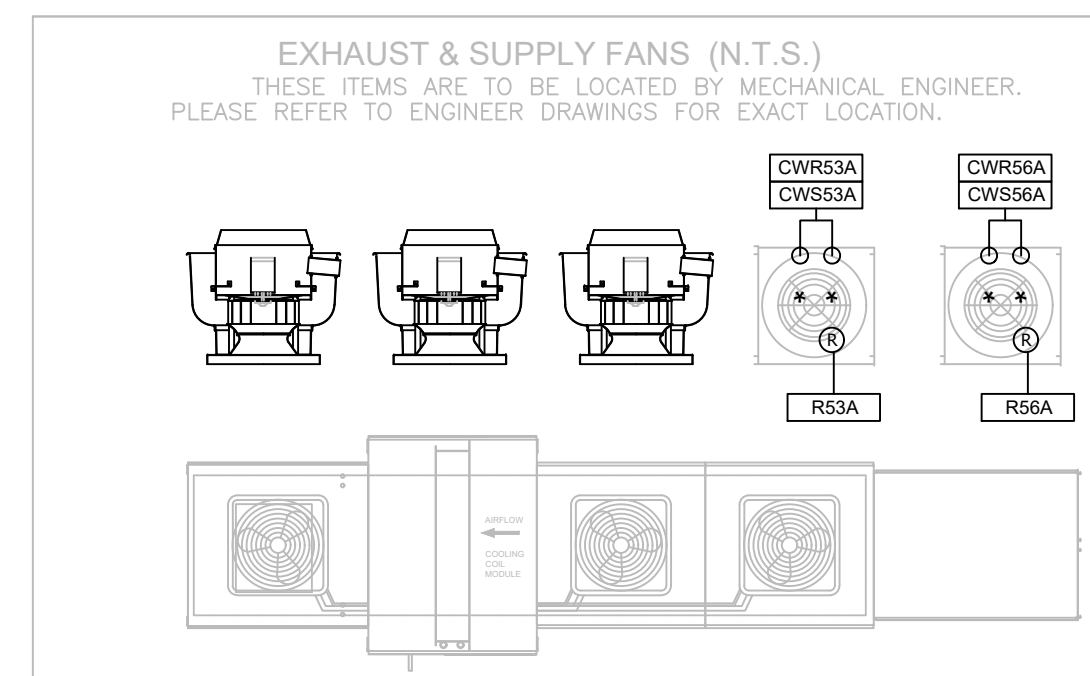
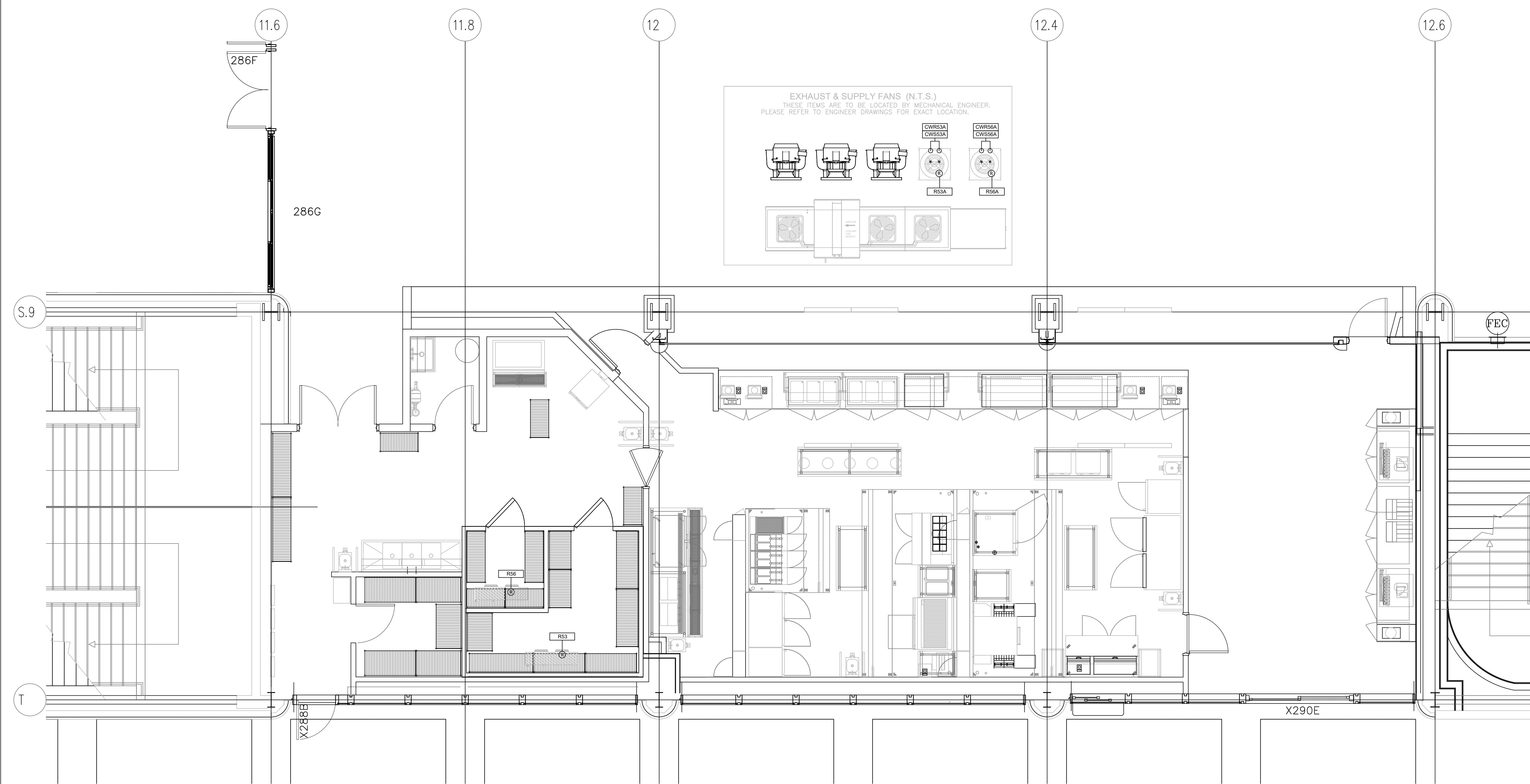
Sheet Title REFRIGERATION PLAN

Job No. 1705.00
Date DECEMBER 7, 2018
Drawn
Checked
Scale 1/4" = 1'-0"

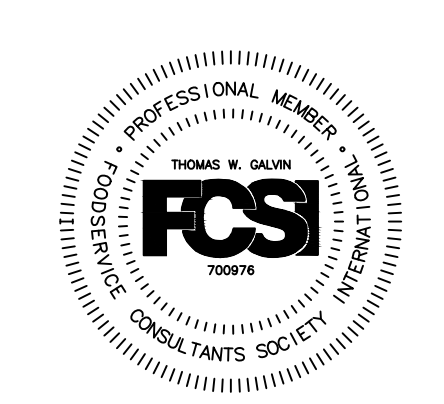
Sheet No. FS-6.6.1

REFRIGERATION ELECTRICAL SCHEDULE										
ItemNo	Quantity	Category	ConnectionType	Voltage	Phase	Cycle	Amps	Kw	Hp	Electrical Remarks
53	1	COIL - COOLER	DIRECT	115	1	60	10.0	0.12		SEE MANUFACTURER DRAWINGS FOR MORE DETAILS
53A	1	CONDENSING UNIT	DIRECT	208-230	3	60	13.9		1.0	SEE MANUFACTURER DRAWINGS FOR MORE DETAILS
56	1	COIL - FREEZER	DIRECT	208-230	1	60	5.2	1.8		SEE MANUFACTURER DRAWINGS FOR MORE DETAILS
56A	1	CONDENSING UNIT	DIRECT	208-230	3	60	11.8		2.0	SEE MANUFACTURER DRAWINGS FOR MORE DETAILS

CONDENSED WATER SCHEDULE					
ItemNo	Quantity	Category	Condenser Water Inlet	Condenser Water Outlet	Plumbing Remarks
53A	1	CONDENSING UNIT	1/2"	1/2"	SEE MANUFACTURER DRAWINGS FOR MORE DETAILS
56A	1	CONDENSING UNIT	1/2"	1/2"	SEE MANUFACTURER DRAWINGS FOR MORE DETAILS



1 FOOD COURT E & F REFRIGERATION PLAN
SCALE: 1/4" = 1'-0"



NOTE:
GENERAL CONTRACTOR SHALL REVIEW THE FOODSERVICE BROCHURE AS PART OF THE OVERALL SCOPE OF THE PROJECT. THE NOTES AND DETAILS IN THE BROCHURE ALONG WITH THESE PLANS ARE CONSIDERED A COMPLETE SET. THE GENERAL CONTRACTOR USES BOTH RESOURCES TO OBTAIN A COMPETITIVE BID. FAILURE NOT TO REVIEW BOTH SETS OF DOCUMENTS WILL RESULT IN REVISION CHANGE ORDERS WHICH SHALL BE THE RESPONSIBILITY OF THE GENERAL CONTRACTOR AND SUBCONTRACTORS.

COPYRIGHT 2017 GALVIN DESIGN GROUP, INC.
ALL ELEMENTS OF THIS DRAWING INCLUDING INDIVIDUAL SYMBOLS ARE PROPERTY OF GALVIN DESIGN GROUP, INC. AND MAY NOT BE ALTERED OR REPRODUCED WITHOUT EXPRESS WRITTEN PERMISSION.



Orange County
Convention
Center
Food Service
Renovations

Client
Orange County
Convention Center
P.O. Box 691509
Orlando, Florida 32869



C.T. HSU + ASSOCIATES, P.A.
ARCHITECTURE • PLANNING • INTERIOR DESIGN
FL LIC # AA-0001322
820 Irma Avenue, Orlando, FL 32803
Tel 407.423.0098 Fax 407.423.4793

Consultants



GALVIN DESIGN GROUP, INC.
13422 Sunset Lakes Circle
Winter Garden, FL 34787
Office - (407) 654-8766
Fax - (407) 654-8841
Florida Interior Design #D0000408
Florida Business Design #B26000856

NOTICE
The data in this document incorporate proprietary rights of:
C. T. HSU + ASSOCIATES
820 Irma Avenue, Orlando, Florida 32803
Any party accepting this document does so in confidence
and agrees that it shall not be duplicated in whole or in
part nor disclosed to others, without the written consent of
C. T. HSU + ASSOCIATES

Seal/Signature

CONFORMED DOCUMENTS

2 HS 10/03/2019 PERMIT COMMENT

1 HS 12/21/2018 PERMIT COMMENT

No. By Date Revision

No. By Date Issued for

Sheet Title EXHAUST HOOD PLAN

Job No. 1705.00

Date DECEMBER 7, 2018

Drawn

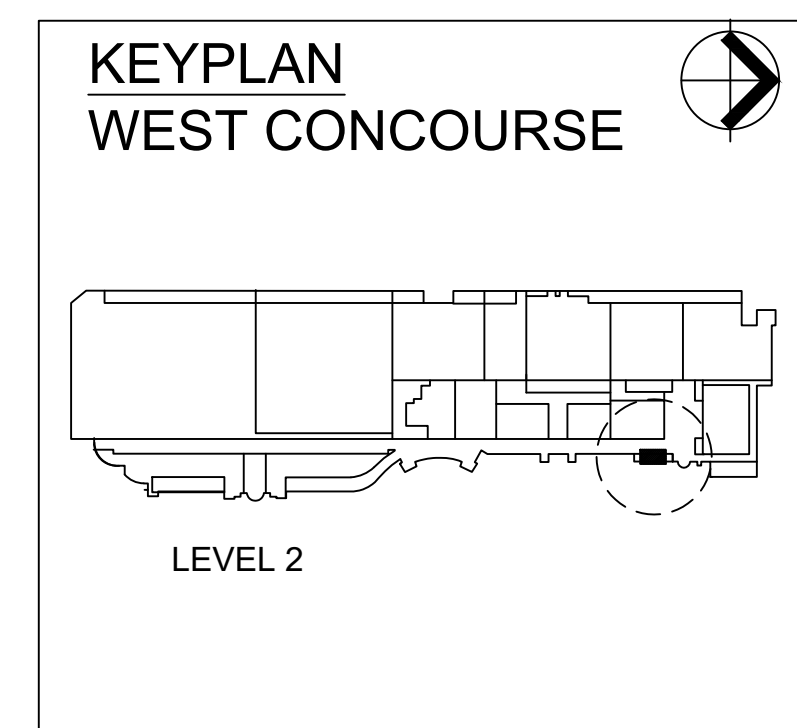
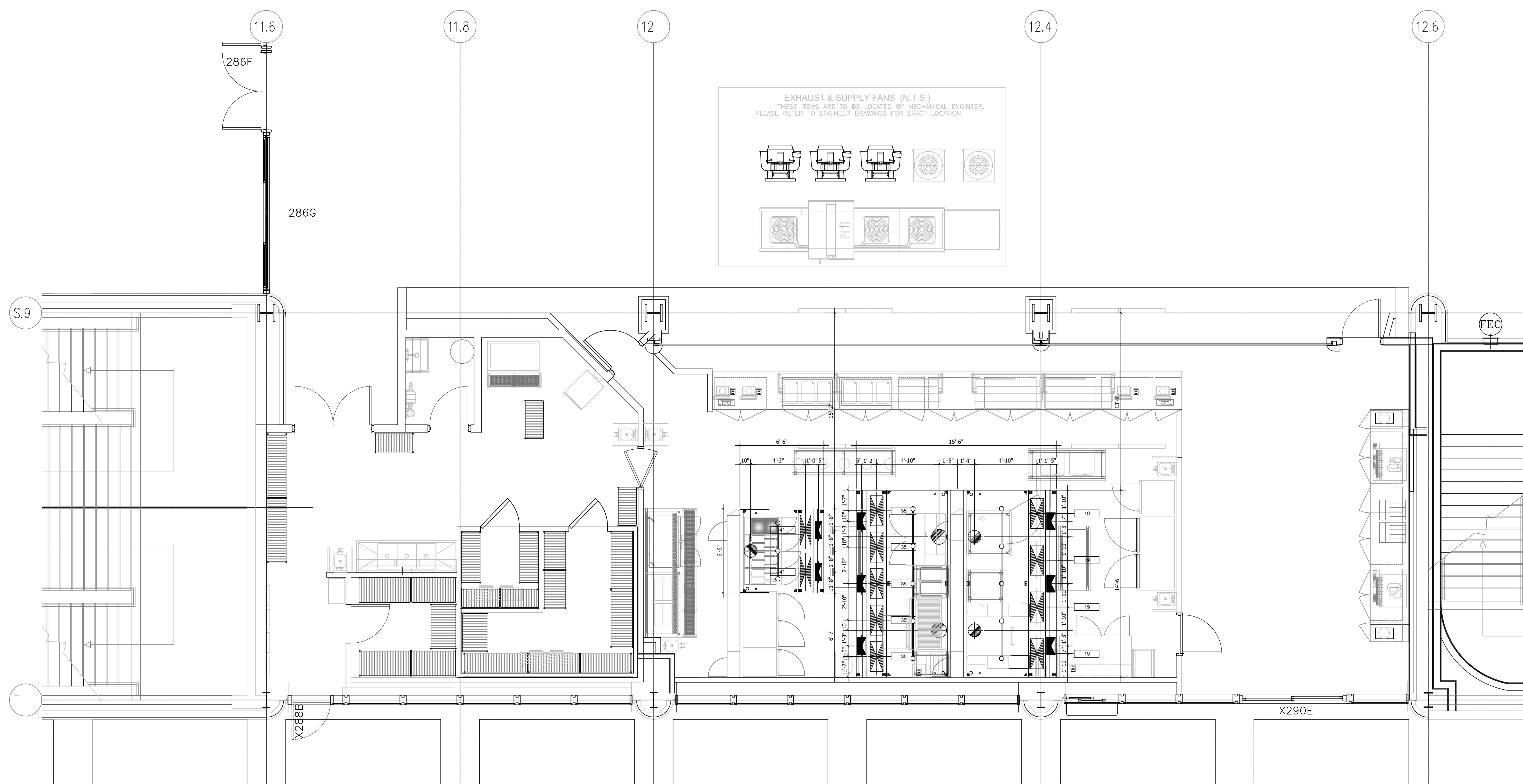
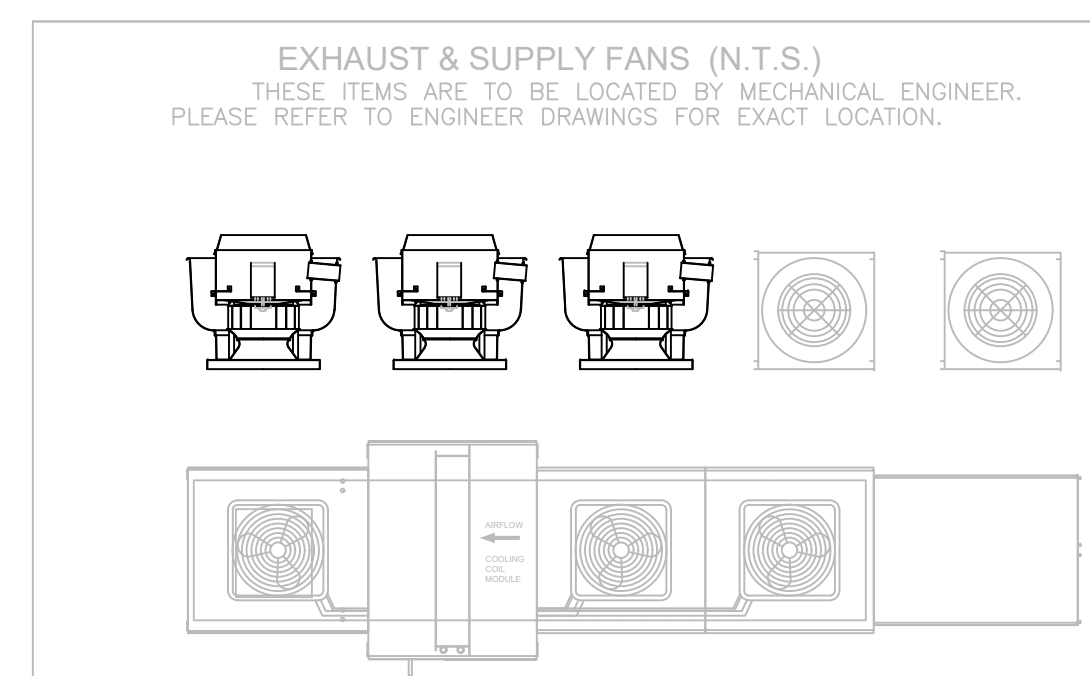
Checked

Scale 1/4" = 1'-0"

Sheet No. FS-6.6.2

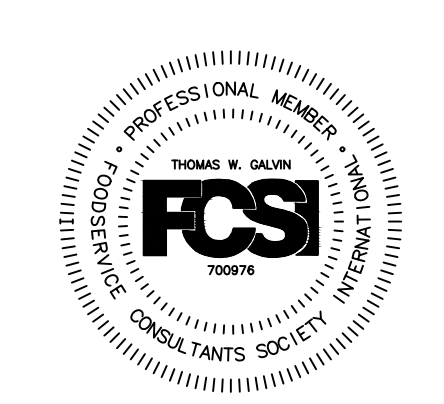
HOOD INFORMATION - Job#3281955

HOOD NO.	TAG	MODEL	LENGTH	MAX COOKING TEMP.	TOTAL EXH. CFM	EXHAUST PLENUM RISER(S)						MUA CFM	AC CFM	HOOD CONSTRUCTION	HOOD CONFIG.		
						WIDTH	LENG.	HEIGHT	DIA.	CFM	VEL.				S.P.	END TO	ROW
5	19 WEST FC EF	6030 ND-2-ACSP-F	14' 6"	450 Deg.	3262			4"	12"	1631	2077	-0.840"	2773	750	430 SS 100%	ALONE	FRONT
6	35 WEST FC EF	6030 ND-2-ACSP-F	14' 6"	450 Deg.	4350			4"	14"	2175	2035	-1.131"	3480	750	430 SS 100%	ALONE	BACK
7	41 WEST FC EF	5430 ND-2-ACSP-F	6' 6"	450 Deg.	1462			4"	12"	1462	1861	-0.749"	1170	400	430 SS 100%	ALONE	ALONE



1 FOOD COURT E & F EXHAUST HOOD PLAN
SCALE: 1/4" = 1'-0"

NOTE: REFER TO PAGE SERIES FS-10.1.0 FOR DRAWING DETAILS



NOTE:
GENERAL CONTRACTOR SHALL REVIEW THE FOODSERVICE BROCHURE AS PART OF THE OVERALL SCOPE OF THE PROJECT. THE NOTES AND DETAILS IN THE BROCHURE ALONG WITH THESE PLANS ARE CONSIDERED A COMPLETE SET. THE GENERAL CONTRACTOR USES BOTH RESOURCES TO OBTAIN A COMPETITIVE BID. FAILURE NOT TO REVIEW BOTH SETS OF DOCUMENTS WILL RESULT FROM SEVERAL CHANGE ORDERS WHICH SHALL BE THE RESPONSIBILITY OF THE GENERAL CONTRACTOR AND SUBCONTRACTORS.

COPYRIGHT 2017 GALVIN DESIGN GROUP, INC.
ALL ELEMENTS OF THIS DRAWING INCLUDING INDIVIDUAL SYMBOLS ARE PROPERTY OF GALVIN DESIGN GROUP, INC. AND MAY NOT BE ALTERED OR REPRODUCED WITHOUT EXPRESS WRITTEN PERMISSION.



Orange County Convention Center Food Service Renovations

Client
Orange County Convention Center
P.O. Box 691509
Orlando, Florida 32869



C.T. HSU + ASSOCIATES, P.A.
ARCHITECTURE • PLANNING • INTERIOR DESIGN
FL LIC # AA-0001322
820 Irma Avenue Orlando, FL 32803
Tel 407.423.0098 Fax 407.423.4793

Consultants



GALVIN DESIGN GROUP, INC.
13422 Sunset Lakes Circle
Winter Garden, FL 34787
Office - (407) 654-8766
Fax - (407) 654-8841
Florida Interior Design #D0000408
Florida Business Design #B26000856

NOTICE
The data in this document incorporate proprietary rights of:
C. T. HSU + ASSOCIATES
820 Irma Avenue, Orlando, Florida 32803
Any party accepting this document does so in confidence and agrees that it shall not be duplicated in whole or in part nor disclosed to others, without the written consent of C. T. HSU + ASSOCIATES

Seal/Signature

CONFORMED DOCUMENTS

2 HS 10/03/2019 PERMIT COMMENT
1 HS 12/21/2018 PERMIT COMMENT

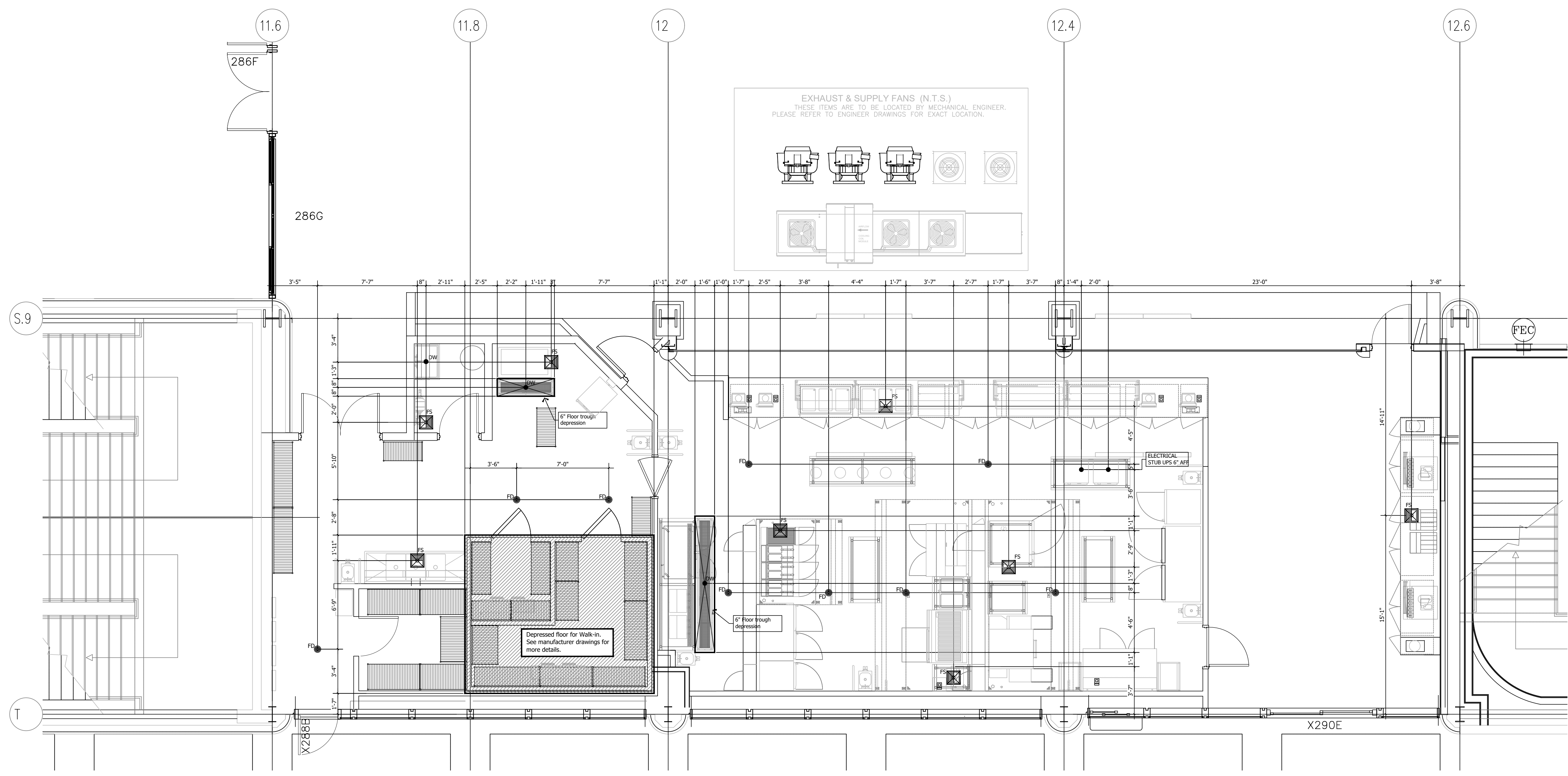
No. By Date Revision

No. By Date Issued for

Sheet Title SLAB PENETRATIONS PLAN

Job No. 1705.00
Date DECEMBER 7, 2018
Drawn
Checked
Scale 1/4" = 1'-0"

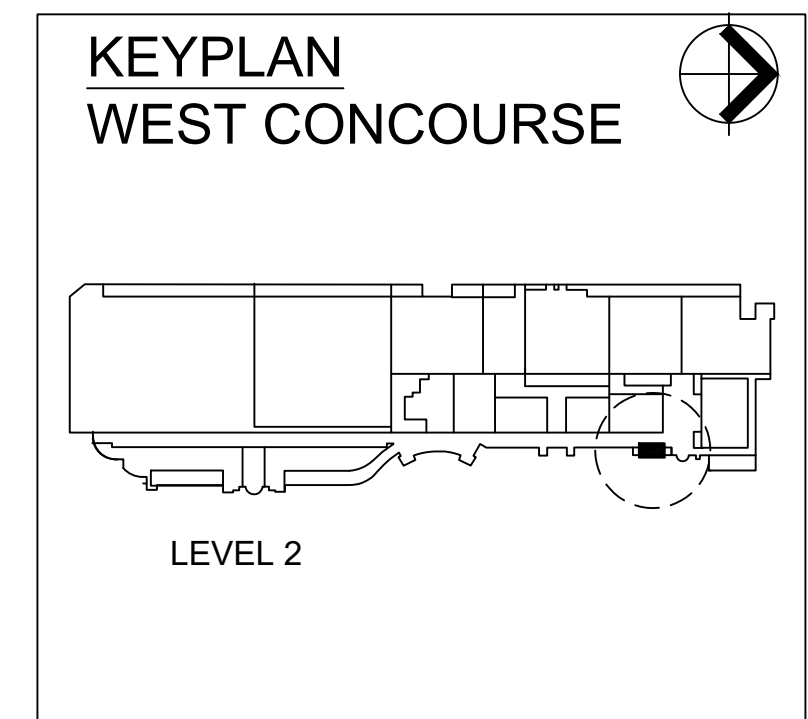
Sheet No. FS-7.6.0



1 FOOD COURT E & F SLAB PENETRATIONS PLAN
SCALE: 1/4" = 1'-0"

NOTE: REFER TO PAGE FS-D1 FOR DRAWING DETAILS

NOTE: AREA FLOOR DRAINS SHOWN AS SUGGESTED QUANTITIES & LOCATIONS



NOTE:
GENERAL CONTRACTOR SHALL REVIEW THE FOODSERVICE BROCHURE AS PART OF THE OVERALL SCOPE OF THE PROJECT. THE NOTES AND DETAILS IN THE BROCHURE ALONG WITH THESE PLANS ARE CONSIDERED A COMPLETE SET. THE GENERAL CONTRACTOR USES BOTH RESOURCES TO OBTAIN A COMPETITIVE BID. FAILURE NOT TO REVIEW BOTH SETS OF DOCUMENTS WILL RESULT IN/OR SEVERAL CHANGE ORDERS WHICH SHALL BE THE RESPONSIBILITY OF THE GENERAL CONTRACTOR AND SUB-CONTRACTORS.
COPYRIGHT 2017 GALVIN DESIGN GROUP, INC.
ALL ELEMENTS OF THIS DRAWING INCLUDING INDIVIDUAL SYMBOLS ARE PROPERTY OF GALVIN DESIGN GROUP, INC. AND MAY NOT BE ALTERED OR REPRODUCED WITHOUT EXPRESS WRITTEN PERMISSION.



Orange County
Convention
Center
Food Service
Renovations

Client
Orange County
Convention Center
P.O. Box 691509
Orlando, Florida 32869

Architect



C.T. HSU + ASSOCIATES, P.A.
ARCHITECTURE • PLANNING • INTERIOR DESIGN
FL LIC # AC-0001322
820 Irma Avenue
Orlando, FL 32803
Tel 407.423.0098 Fax 407.423.4793

Consultants



GALVIN DESIGN GROUP, INC.
13422 Sunset Lakes Circle
Winter Garden, FL 34787
Office - (407) 654-8766
Fax - (407) 654-5841
Florida Interior Design #D0000408
Florida Business Design #B26000856

NOTICE
The data in this document incorporate proprietary rights of:
C. T. HSU + ASSOCIATES
820 Irma Avenue, Orlando, Florida 32803
Any party accepting this document does so in confidence and agrees that it shall not be duplicated in whole or in part nor disclosed to others, without the written consent of
C. T. HSU + ASSOCIATES

Seal/Signature

CONFORMED DOCUMENTS

2 HS 10/03/2019 PERMIT COMMENT

1 HS 12/21/2018 PERMIT COMMENT

No. By Date Revision

No. By Date Issued for

Sheet Title FOOD COURT E&F ELEVATIONS

Job No. 1705.00

Date DECEMBER 7, 2018

Drawn

Checked

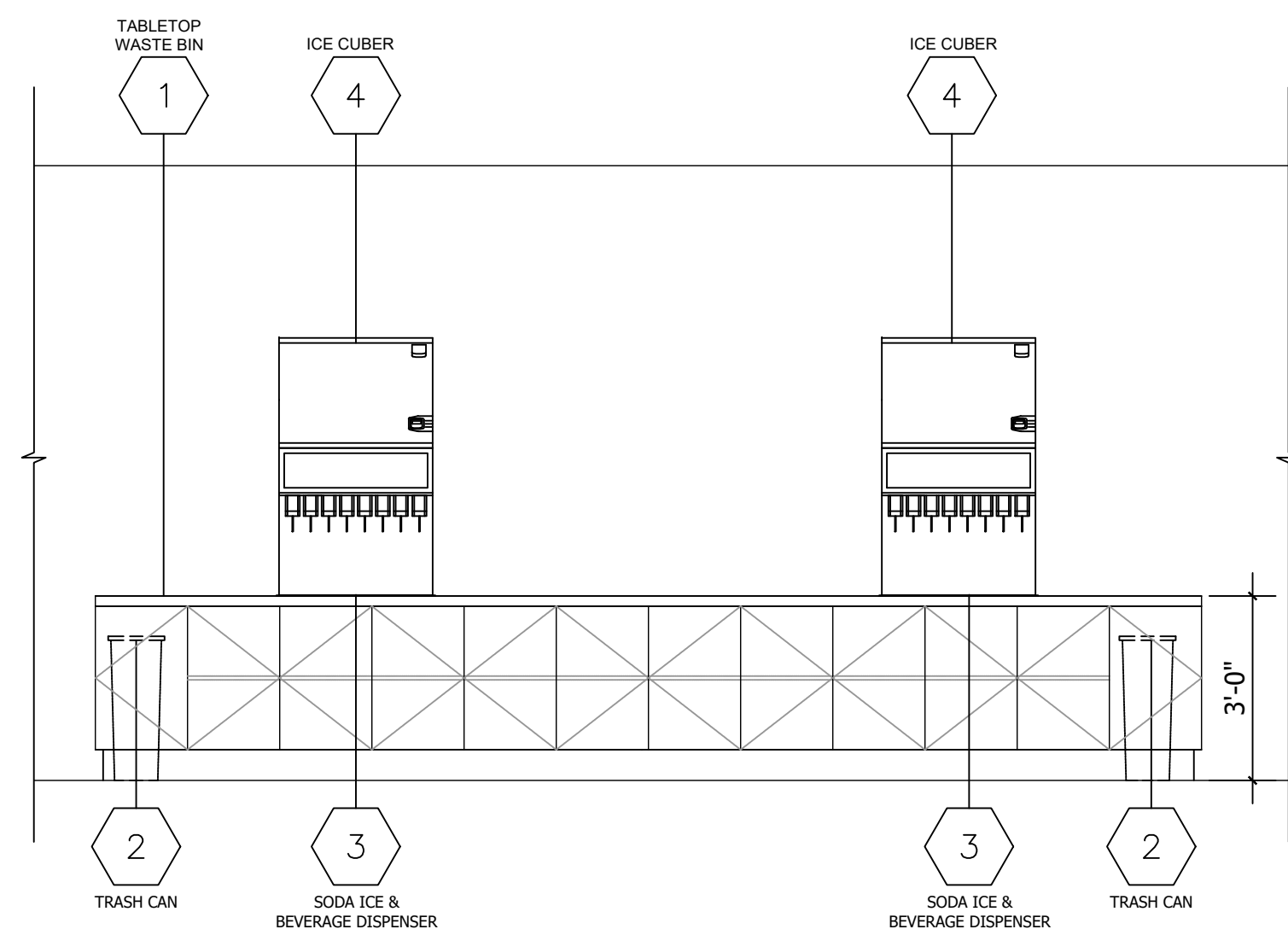
Scale 1/4" = 1'-0"

Sheet No. FS-9.6.0

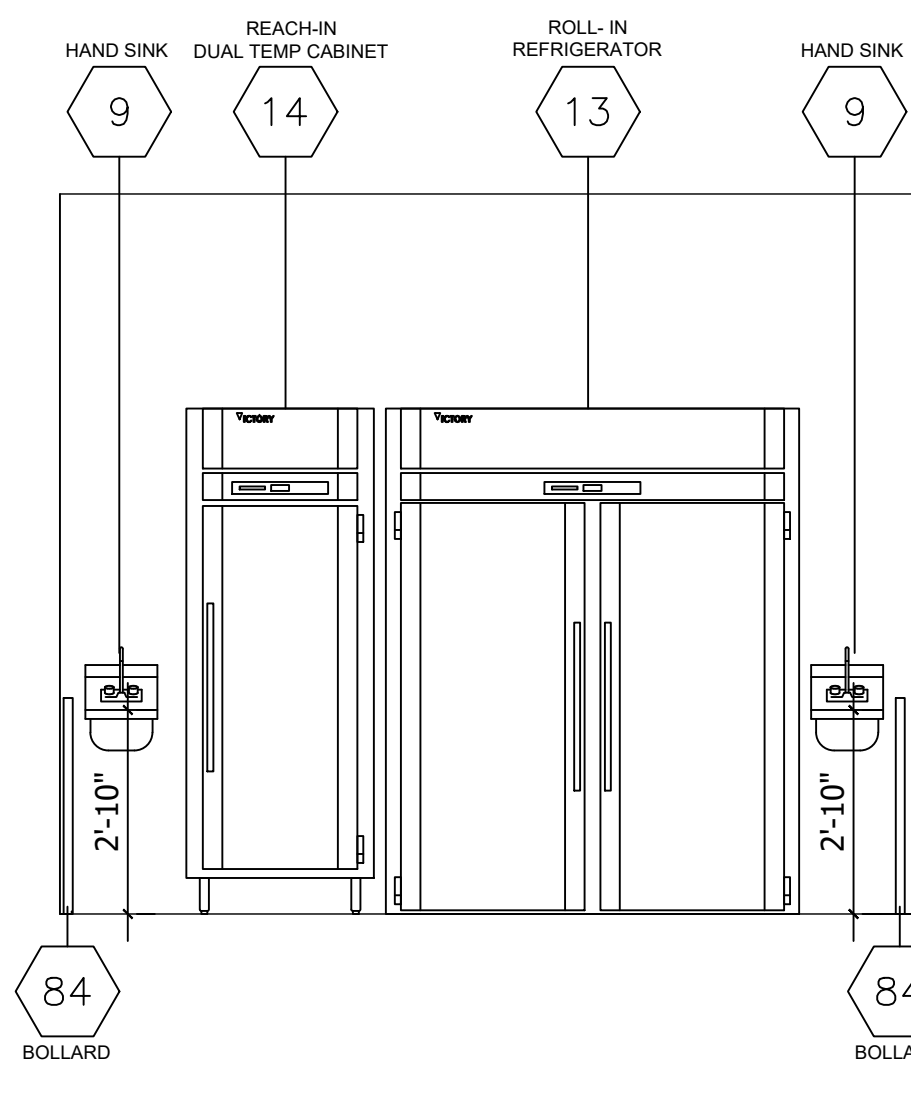
ItemNo	Quantity	Category
1	2	TABLETOP WASTE BIN
2	2	TRASH CAN
3	2	SODA ICE & BEVERAGE DISPENSER
4	2	ICE CUBER
5	2	SPARE NUMBER
6	2	SODA SYSTEM
7	1	COUNTER
8	1	SPARE NUMBER
9	6	HAND SINK
9A	6	SERVICE FAUCET
10	1	PIZZA PREPARATION REFRIGERATOR
11	1	SPARE NUMBER
12	1	PREP TABLE
13	1	ROLL-IN REFRIGERATOR
14	1	REACH-IN FREEZER
15	1	TABLE
16	5	HEAT LAMPS
17	1	SPARE NUMBER
18	1	PIZZA OVEN
19	LOT	HOOD
20	1	FAN
21	1	RETURN AIR FAN
22	1	SPARE NUMBER
23	1	CUT & BOX TABLE
24	1	SPARE NUMBER
25	1	COMBI OVEN, DOUBLE
26	1	SPARE NUMBER
27	2	RACEWAY
28	2	CHASE
29	1	EQUIPMENT STAND, REFRIGERATED BASE
30	1	HD RANGE, 48" CHARBROILER
31	1	TABLE
32	1	TABLE
33	1	TOASTER, (EXISTING)
34	1	SANDWICH / SALAD PREPARATION REFRIGERATOR
35	LOT	HOOD
35A	1	FAN
36	1	SPARE NUMBER
37	1	TABLE
38	1	REACH-IN REFRIGERATOR
39	1	REACH-IN FREEZER
40	1	HAND SINK
40A	1	SERVICE FAUCET
41	LOT	HOOD
42	1	FAN
43	3	FRYER BATTERY, GAS
44	2	HOT FOOD WELL
45	1	FRYER DUMP STATION

ItemNo	Quantity	Category
46	1	TABLE
47	EXISTING	COFFEE BREWER (EXISTING)
48	1	SPARE NUMBER
49	1	BEVERAGE TABLE
50	1	REACH-IN UNDERCOUNTER REFRIGERATOR
51	1	SPARE NUMBER
52	LOT	SHELVING
53	1	COIL - COOLER
53A	1	CONDENSING UNIT
54	1	WALK-IN COOLER
55	1	SHELVING
56	1	COIL - FREEZER
56A	1	CONDENSING UNIT
57	1	WALK-IN FREEZER
58	1	SHELVING
59	1	MUSIC SYSTEM
60	1	STAINLESS CORNER GUARD
61	1	POT RACK SHELF
62	1	3-COMPARTMENT SINK (EXISTING)
63	1	SERVICE FAUCET
64	2	TROUGH DRAIN
65	1	ICE BIN (EXISTING)
66	1	ICE MAKER (EXISTING)
67	1	SPARE NUMBER
68	1	SNEEZE GUARD W/HEAT LAMPS
69	1	SPARE NUMBER
70	4	POS/CASH
71	6	PRINTER
72	1	COUNTER
73	1	SPARE NUMBER
74	1	SPARE NUMBER
75	1	HEATED SHELF FOOD WARMER
76	1	HEATED SHELF FOOD WARMER
77	2	HOT / COLD FOOD WELL UNIT, DROP-IN, ELECTRIC
78	1	PRE-RINSE SPRAY VALVE
79	1	BUN / SHEET PAN RACK
80	1	BUN / SHEET PAN RACK
81	1	WALL CLADDING
82	1	WATER FILTER
83	1	DIAMOND WALL CLADDING
84	8	BOLLARDS
85	1	CAN/MOP SINK
86	1	SOAP/CHEMICAL CABINET
87	1	CART, CONDIMENT
88	1	CABINET, COOK / HOLD / OVEN
89	2	DISPLAY CASE, HOT FOOD, COUNTERTOP
90	1	HEATED SHELF FOOD WARMER

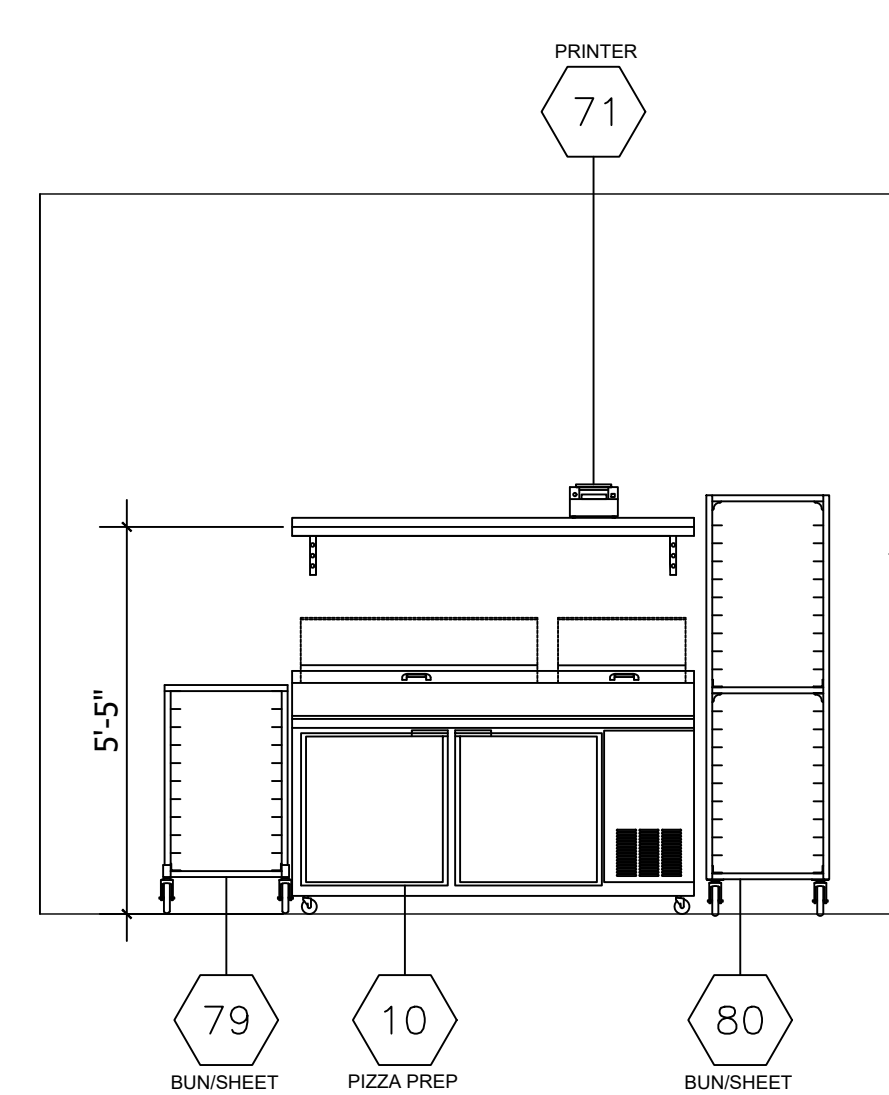
Manufactured Equipment will be "Owner Furnished/ Contractor Installed"



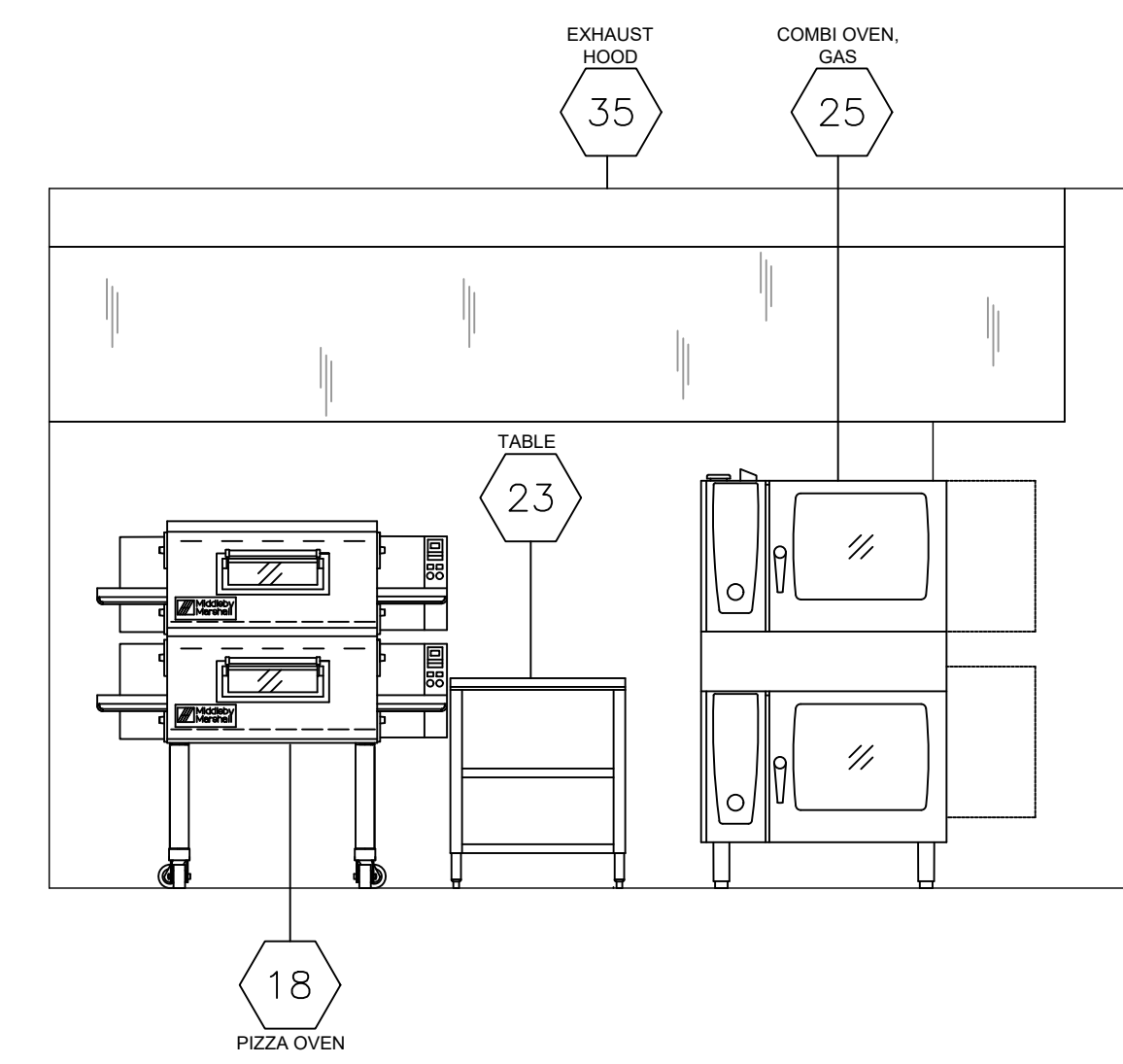
1 BEVERAGE COUNTER
SCALE: 3/8" = 1'-0"



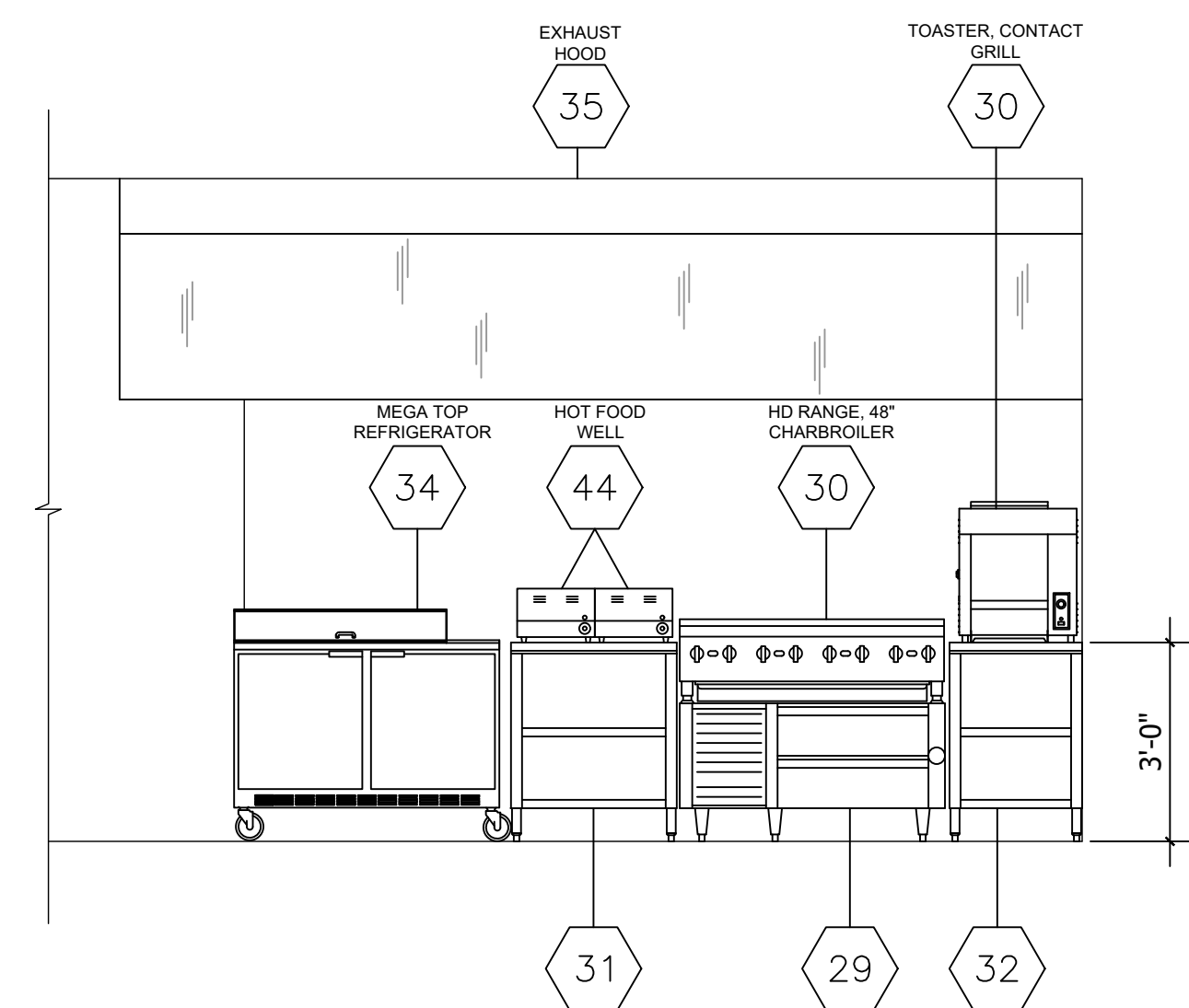
2 REFRIGERATORS
SCALE: 3/8" = 1'-0"



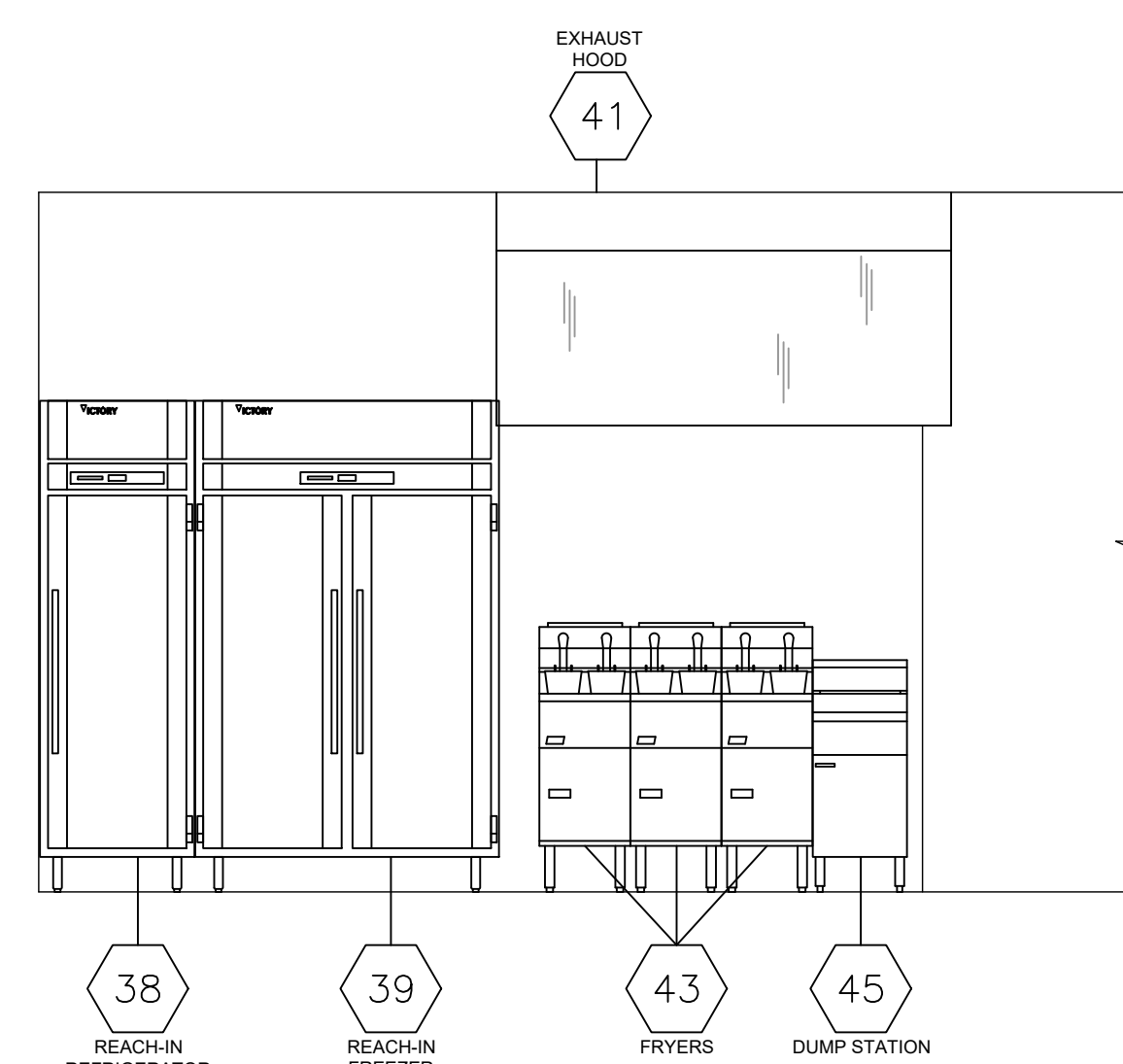
3 SUPPORT
SCALE: 3/8" = 1'-0"



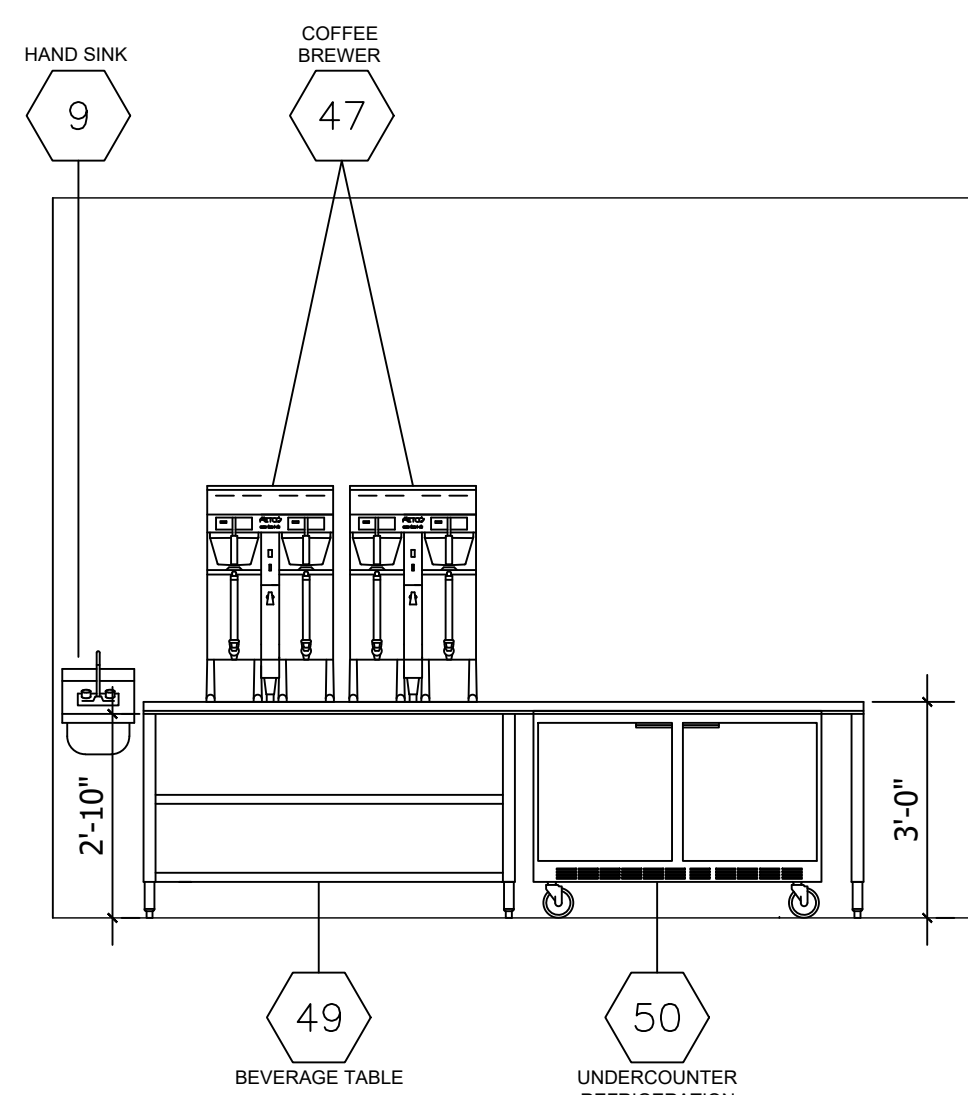
4 COOKLINE
SCALE: 3/8" = 1'-0"



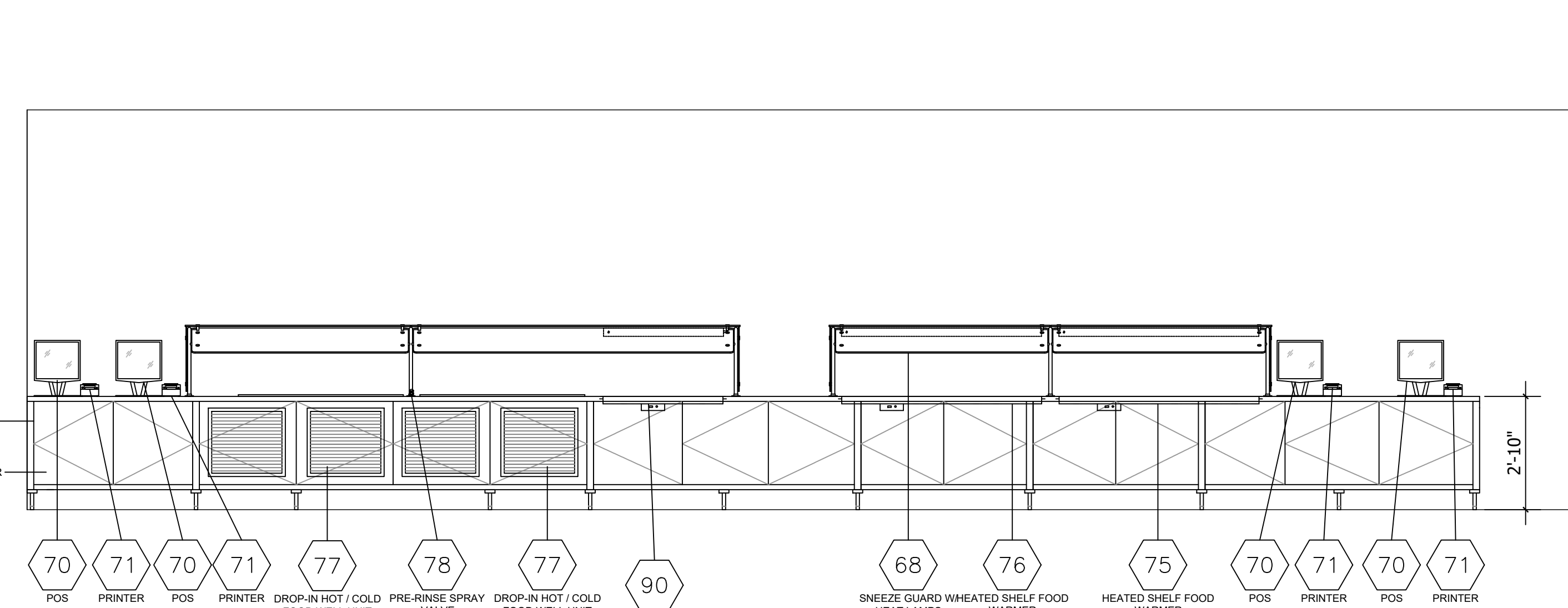
5 COOKLINE
SCALE: 3/8" = 1'-0"



6 COOKLINE
SCALE: 3/8" = 1'-0"



7 BEVERAGE TABLE
SCALE: 3/8" = 1'-0"



8 FRONT COUNTER
SCALE: 3/8" = 1'-0"

NOTE:
GENERAL CONTRACTOR SHALL REVIEW THE FOODSERVICE BROCHURE AS PART OF THE OVERALL SCOPE OF THE PROJECT. THE NOTES AND DETAILS IN THE BROCHURE ALIGNED WITH THESE FRANCHISES ARE CONSIDERED A COMPLETE SET. THE GENERAL CONTRACTOR USES BOTH RESOURCES TO OBTAIN A COMPETITIVE BID. FAILURE NOT TO REVIEW BOTH SETS OF DOCUMENTS WILL RESULT IN SEVERAL CHANGE ORDERS WHICH SHALL BE THE RESPONSIBILITY OF THE GENERAL CONTRACTOR AND SUB-CONTRACTORS.

COPYRIGHT 2017 GALVIN DESIGN GROUP, INC.
ALL ELEMENTS OF THIS DRAWING INCLUDING INDIVIDUAL SYMBOLS ARE PROPERTY OF GALVIN DESIGN GROUP, INC. AND MAY NOT BE ALTERED OR REPRODUCED WITHOUT EXPRESS WRITTEN PERMISSION.

